

PORTABLE PRECISION INSTRUMENTS



Serie "Classic" and serie "Economic"

The instruments can be used in the wide range of electrical engineering, where quick and precise measuring is indispensable, e.g. in workshops, test rooms, laboratories, etc. The low consumption means a great advantage in low-power circuits, where the connection of high consumption instruments would derange the circuit conditions.

General specifications

Scales: Are made with mirror underlay and fine graduation marks.

Pointer: Drawn conic glass tube painted red.

Diameter of the part above the graduations ϕ 0.15 mm.

Instrument case: *Light-grey thermosetting bakelite case!*

The movement is built in a dust-free place separated from all other parts of the instrument.

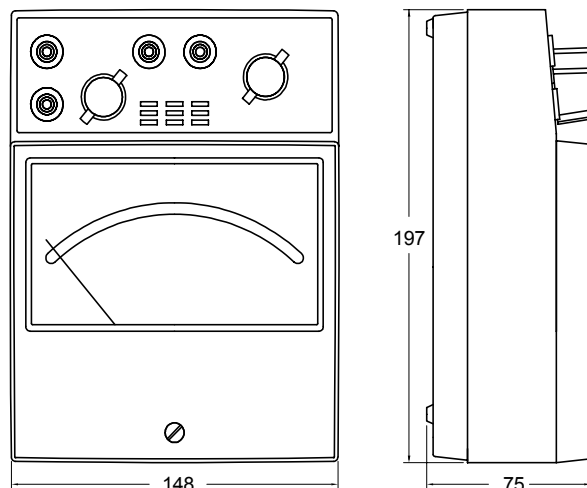
Range of operating temperature: compartment in closed rooms between -10°C and $+55^{\circ}\text{C}$.

Safety: IEC 1010/ EN 61010-1 class 2, degree of pollution 2., CAT III.

Protection: IP 30 for instrument case and IP 50 for the movement, according to DIN 40 050.

Test voltage: 3,3 kV_{eff}, 50 Hz 1 min.

Dimensions: 197 x 148 x 75 mm.



Order data required:

1. Instrument type.
2. Catalogue number.
3. Measuring range
4. Description of special execution.

	DECLARATION OF CONFORMITY according to ISO/IEC guide 22 and EN45014	
Manufacturer's name: GANZ Instruments Ltd. Manufacturer's address: H-1701 Budapest, Úllői út 200. H-1701 Budapest, P.O.B. 58		
Declares, that the product Product name: PORTABLE LABORATORY INSTRUMENT		
has been manufactured to the technical specifications of the product and conforms in all respects to the relevant standards and regulations in force and especially to:		
Safety:	IEC-51 EN 60 051	EN 50081-1 Class B EN 50082-1
	IEC 1010/ EN 61010-1 Insulation: Class 2 Degree of pollution: 2 Over voltage category of inputs: CAT III. 600V max.	
Emission: according to IEC 1326-1, class A		
The product hereby fulfill the requirements of the low voltage directive 72/23/EEC and the EMC directive 89/336/EEC amended by 93/68/EEC.		