

MAK 104/80

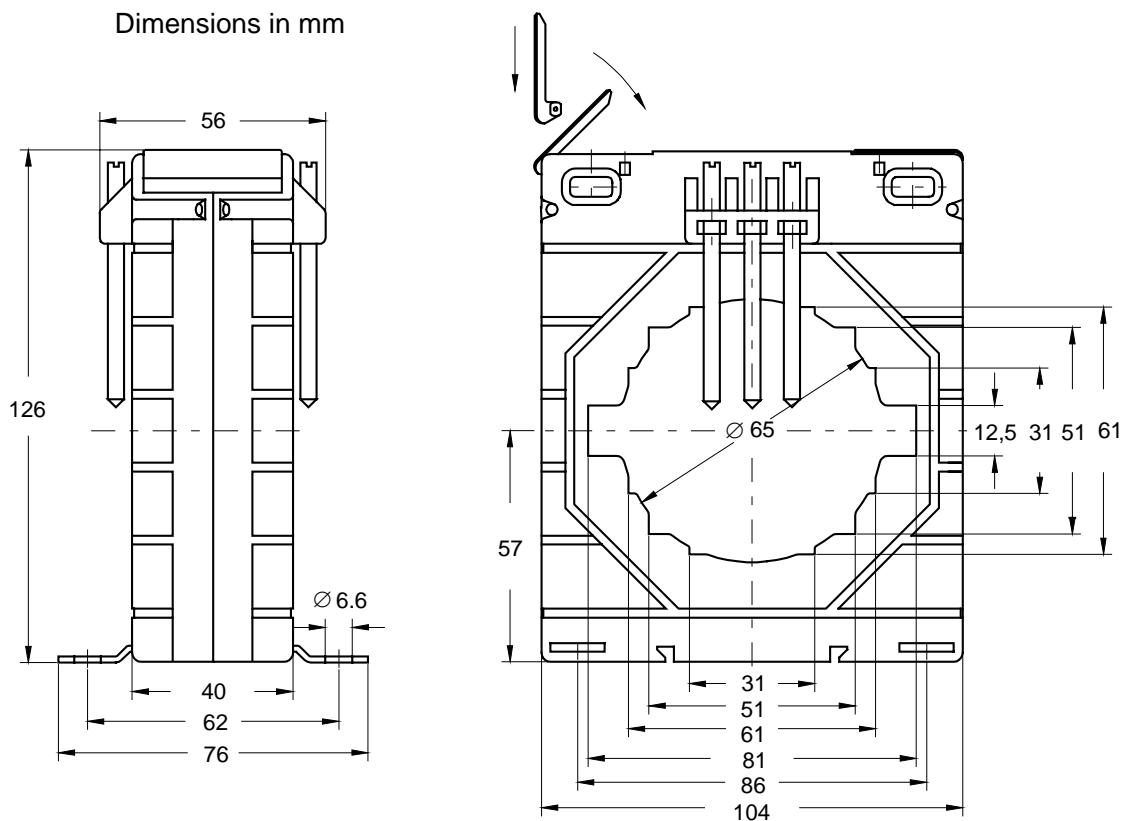
For currents from 200 A to 2000A
 Type: ring / busbar
 Standards: acc. to BS 3938, EN 60044-1 and DIN 42600

Technical data:

Class of accuracy: 0.2 ... 3 (see table).
Rated burden: max. 30 VA (see table).
Rated voltage: 720 V.
Rated frequency: 50-60 Hz.
Rated sec. current: 5 A (or 1 A on request).
Security factor: FS 5 FS10
Working temperature range: -20 ... +45°C.
High voltage test: 4 kV_{eff}, 50 Hz, 1 min.
Insulation class: E (max. 120°C)
Protection: IP 00.
Case: non-flammable plastic, UL 94 V-0.



Outline drawing of MAK104/80



Weight: 580...650gr

Different types of MAK104/80 current transformers see table on next page

Table with different types of MAK104/80 current transformers.

Rated primary current I_n	Acc. class	Type: MAK 104/80									
		Max. busbar hole dimension: 81x12.5 mm or \varnothing 65 mm (see outline drawing)									
		Rated Burden (VA)									
		1.5	2.5	3.75	5	7.5	10	12.5	15	20	30
200 A	0.5 1 3	x									
250 A	0.5 1 3	x	x			x					
300 A	0.5 1 3		x		x	x					
400 A	0.2 0.5 1 3	x			x x		x		x		
500 A	0.2 0.5 1 3	x			x x		x		x		
600 A	0.2 0.5 1 3		x		x x	x		x		x	
750 A	0.2 0.5 1		Δ		x Δ x x		x x		x		
800 A	0.2 0.5 1			Δ	x Δ x x	x	x x		x		
1000 A	0.2 0.5 1				x Δ x x	Δ	x x x	x	x x	x x	
1200 A	0.2 0.5 1				x Δ x x		x x x	x x x	x x	x	x
1250 A	0.2 0.5 1				x Δ x x		x Δ x x	x x x	x x	x	x
1500 A	0.2 0.5 1				x Δ x x		x Δ x x	x x x	x x	x	x
1600 A	0.2 0.5 1				x Δ x x		x Δ x x	x x x	x x	x	x
2000 A	0.2 0.5 1				x Δ x x		x Δ x x	x x x	x x	x	x

$\Delta = 0,2S$

Order specification

- Ring-type current transformer
- Class of accuracy: 0.5
- Rated primary current: 2000 A.
- Rated secondary current: 5 A.
- Rated burden: 15 VA
- Busbar dimension: 80x12,5 mm or \varnothing 65mm

MAK 104/80 2000/5 A Cl. 0,5 15VA

Note:

On request orders for types different from table are accepted.
On request order for clip for DIN EN 50 022 rail are accepted.
Cat. No. **12-3044-94**

MAK104/80d

These current transformers can be used two range by re-switching the secondary windings.

Rated primary current In	Acc. cl.	Type: MAK 104/80d			
		Busbar hole 81x12,5 mm (see fig.)			
		Rated burden (VA)			
		5-2,5	10-5	15-7,5	30-15
500-250A	0.5 1 3	x			
600-300 A	0.5 1 3	x	x		
800-400 A	0.5 1 3	x	x	x	
1000-500 A	0.5 1 3		x	x	
1200-600 A	0.5 1 3		x	x x	
1500-750 A	0.5 1 3		x	x x	
1600-800 A	0.5 1 3		x	x x	x
2000-1000 A	0.5 1 3		x	x x	x

MAK104/80t

These current transformers can be used three range by re-switching the secondary windings.

Rated primary current In	Acc. cl.	Type: MAK 104/80t	
		Busbar hole 81x12,5 mm (see fig.)	
		Rated burden (VA)	
		10-5-2,5	15-10-5
1000-500-250A	0.5 1 3	x	x
1200-600-300 A	0.5 1 3	x	x
1500-750-400 A	0.5 1 3	x	x
1600-800-400 A	0.5 1 3	x	x
2000-1000-500 A	0.5 1 3	x	x

Order specification:

- Ring-type current transformer.
- Class of accuracy: 0.5
- Rated primary current: 800-400 A.
- Rated secondary current: 5 A.
- Rated burden: 5-2,5 VA
- Busbar dimension: 80x12,5 mm or \varnothing 65 mm.

MAK 104/80d	800-400/5 A	Cl. 0,5	5-2,5VA
-------------	-------------	---------	---------

