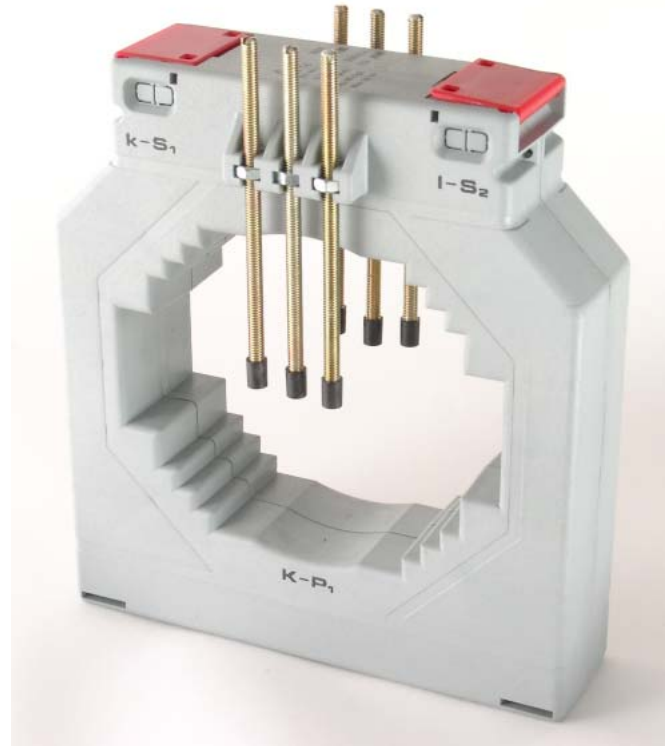


MAK 140/100h

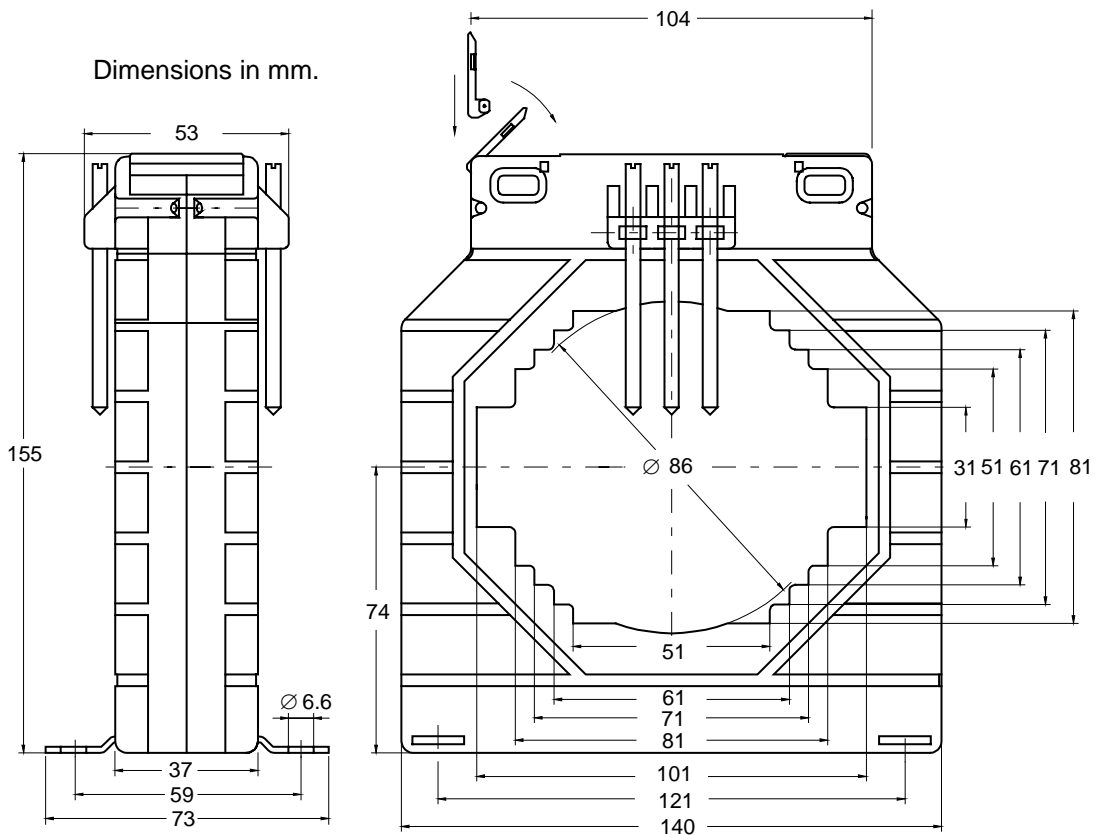
For currents from 200 A to 4000 A
 Type: ring / busbar
 Standards: acc. to BS 3938, EN 60044-1 and DIN 42600

Technical data:

- Class of accuracy:** 0,2 ... 3 (see table).
- Rated burden:** max. 60 VA (see table).
- Rated voltage:** 720 V.
- Rated frequency:** 50-60 Hz.
- Rated sec. current:** 5 A (or 1 A on request).
- Security factor:** FS 5 FS10
- Working temperature range:** -20 ... +45°C.
- High voltage test:** 4 kV_{eff}, 50 Hz, 1 min.
- Insulation class:** E (max. 120°C)
- Protection:** IP 00.
- Case:** non-flammable plastic, UL 94 V-0.



Outline drawing of MAK140/100h



Weight: 900...1100gr

Different types of MAK140/100h current transformers see table on next page

Table with different types of MAK140/100h current transformers.

Rated primary current I_n	Acc. class	Type: MAK 140/100h											
		Max. busbar hole dimension: 101x31 mm or \varnothing 86 mm (see outline drawing)											
		Rated Burden (VA)											
		1.5	2.5	3.75	5	7.5	10	12.5	15	20	30	45	60
200 A	0,2												
	0,5	x											
	1	x		x									
	3				x								
250 A	0,2												
	0,5												
	1		x										
	3												
300 A	0,2												
	0,5												
	1												
	3				x	x							
400 A	0,2	x											
	0,5												
	1												
	3				x	x							
500 A	0,2												
	0,5		x										
	1												
	3				x								
600 A	0,2												
	0,5												
	1		Δ										
	3			x									
750 A	0,2												
	0,5												
	1												
	3			Δ	x Δ								
800 A	0,2												
	0,5												
	1												
	3				x Δ								
1000 A	0,2												
	0,5												
	1												
	3				x Δ								
1200 A	0,2												
	0,5												
	1												
	3				x Δ								
1250 A	0,2												
	0,5												
	1												
	3				x Δ								
1500 A	0,2												
	0,5												
	1												
	3				x Δ								
1600 A	0,2												
	0,5												
	1												
	3				x Δ								
2000 A	0,2												
	0,5												
	1												
	3				x Δ								
2500 A	0,2												
	0,5												
	1												
	3				x Δ								
3000 A	0,2												
	0,5												
	1												
	3				x Δ								
4000 A	0,2												
	0,5												
	1												
	3				x Δ								

$\Delta = 0,2S$

Order specification:

- Ring-type current transformer.
- Class of accuracy: 0.5
- Rated primary current: 2500 A.
- Rated secondary current: 5 A.
- Rated burden: 30 VA
- Busbar dimension: 2x100x10 mm or \varnothing 86 mm.

MAK 140/100h 2500/5 A Cl. 0,5 30VA

Note:

On request orders for types different from table are accepted.

MAK140/100hd

These current transformers can be used two range by re-switching the secondary windings.

Rated primary current I_n	Acc. cl.	Type: MAK 140/100hd			
		Busbar hole 101x31 mm (see fig.)			
		Rated burden (VA)			
		5-2,5	10-5	15-7,5	30-15
600-300A	0,5 1 3	x	x		
800-400A	0,5 1 3	x	x		
1000-500A	0,5 1 3		x x	x	
1200-600A	0,5 1 3		x x	x	
1600-800A	0,5 1 3		x x	x	x
2000-1000A	0,5 1 3		x x	x	x x
2500-1250A	0,5 1 3		x x	x x	x x
3000-1500A	0,5 1 3		x x	x	x x

MAK140/100ht

These current transformers can be used three range by re-switching the secondary windings.

Rated primary current I_n	Acc. cl.	Type: MAK 140/100ht		
		Busbar hole 101x31mm (see fig.)		
		Rated burden (VA)		
		10-5-2,5	20-10-5	30-15-7,5
1200-600-300A	0,5 1 3	x	x	x
1600-800-400A	0,5 1 3	x	x x	x
2000-1000-500A	0,5 1 3	x	x x	x
2500-1200-600A	0,5 1 3	x	x x	x
3000-1500-750A	0,5 1 3	x	x x	x

Order specification:

- Ring-type current transformer.
- Class of accuracy: 1
- Rated primary current: 1000-500 A.
- Rated secondary current: 5 A.
- Rated burden: 10-5 VA
- Busbar dimension: 2x100x10 mm or \varnothing 86 mm.

MAK 140/100hd 1000-500/5 A Cl. 1 10-5VA