

MAK 140/80

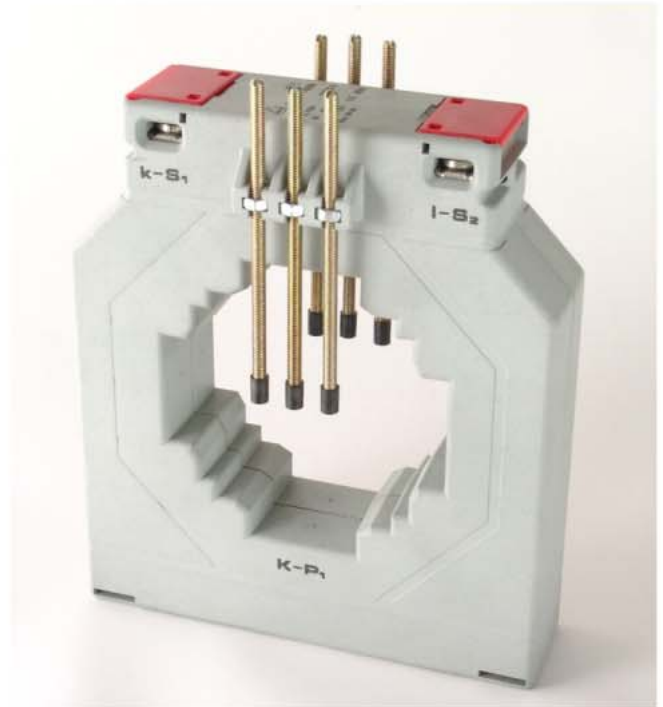
For currents from 200 A to 2000 A

Type: ring / busbar

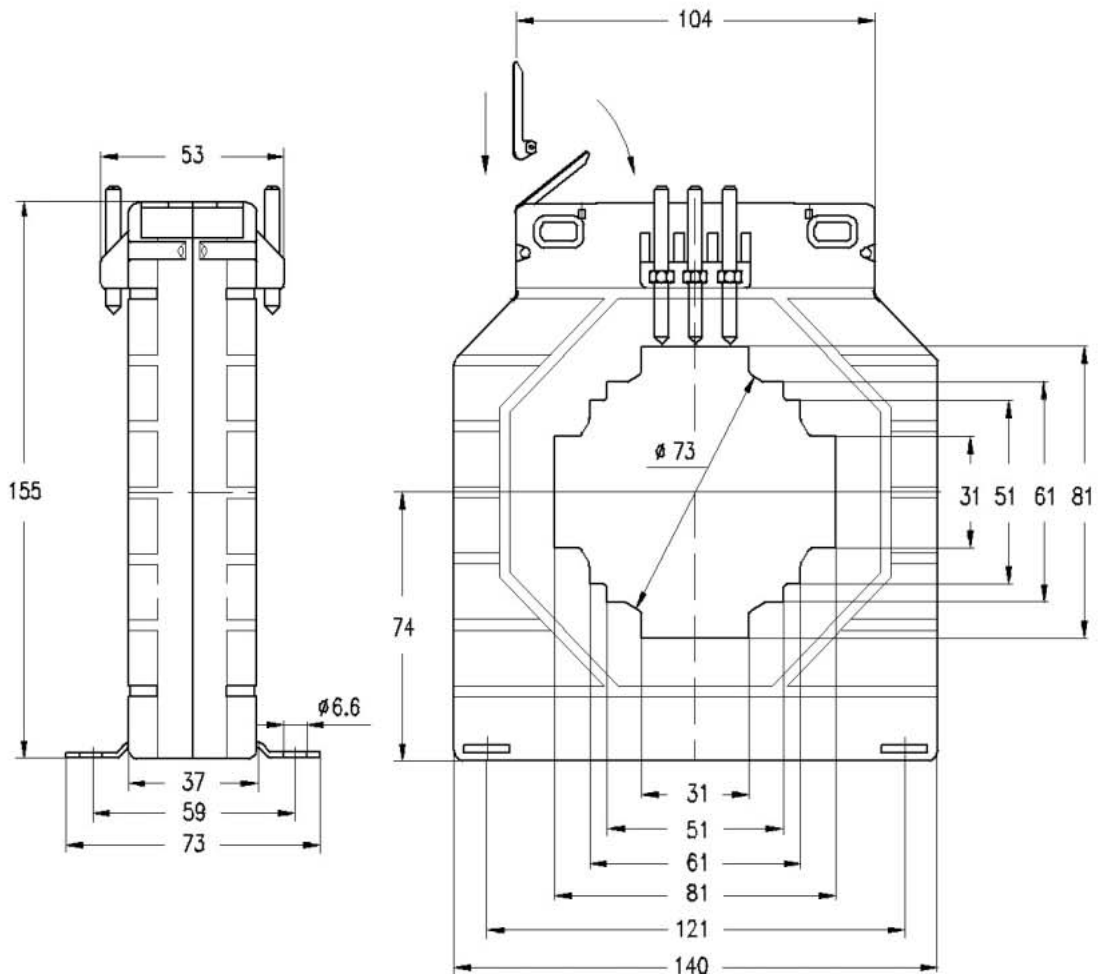
Standards: acc. to BS 3938, EN 60044-1 and DIN 42600 standards.

Technical data:

Class of accuracy:	0,2 ... 3 (see table).
Rated burden:	max. 45 VA (see table).
Rated voltage:	720 V.
Rated frequency:	50-60 Hz.
Rated sec. current:	5 A (or 1 A on request).
Security factor:	FS 5 FS10
Working temperature range:	-20 ... +45°C.
High voltage test:	4 kV _{eff} 50 Hz, 1 min.
Insulation class:	E (max. 120°C)
Protection:	IP 00.
Case:	non-flammable plastic, UL 94 V-0.



Outline drawing of MAK 140/80



Weight: 1000...1200gr

Different types of MAK140/80 current transformers see in the table on next page



CURRENT TRANSFORMERS



Table with different types of MAK140/80 current transformers

Rated primary current I_n	Acc. class	Type: MAK 140/80											
		Max. busbar hole dimension: 81x31 mm or \varnothing 73 mm (see outline drawing)											
		Rated Burden (VA)											
		1.5	2.5	3.75	5	7.5	10	12.5	15	20	30	45	60
200 A	0,2 0,5 1 3		x		x	x							
250 A	0,2 0,5 1 3				x x		x			x			
300 A	0,2 0,5 1 3	x			x x	x	x			x			
400 A	0,2 0,5 1 3		x		x x		x x			x			
500 A	0,2 0,5 1 3		Δ		x x x		x x			x x		x	
600 A	0,2 0,5 1 3			x Δ	x x x	x	x x			x x		x	
750 A	0,2 0,5 1 3				x Δ x x		x x x			x x		x x	x
800 A	0,2 0,5 1 3				x Δ x x		x x x	x		x x		x x	x x
1000 A	0,2 0,5 1 3				x Δ x x		x Δ x x			x x x		x x	x x
1200 A	0,2 0,5 1				x Δ x x		x Δ x x			x x x		x x	x
1250 A	0,2 0,5 1				x Δ x x		x Δ x x			x x x		x x	x x
1500 A	0,2 0,5 1				x Δ x x		x Δ x x			x x x		x x	x x
1600 A	0,2 0,5 1				x Δ x x		x Δ x x			x x x		x x	x x
2000 A	0,2 0,5 1				x Δ x x		x Δ x x			x x x		x x	x x x

$\Delta = 0,2S$

Order specification:

- Ring-type current transformer.
- Class of accuracy: 0,5
- Rated primary current: 2000 A.
- Rated secondary current: 5 A.
- Rated burden: 30 VA
- Busbar dimension: 2x80x10 mm or \varnothing 73 mm.

MAK 140/80	2000/5 A	Cl. 0,5	30VA
------------	----------	---------	------

Note: -On request orders for types different from table are accepted.

MAK140/80d

These current transformers can be used two range by re-switching the secondary windings.

Rated primary current I_n	Acc. cl.	Type: MAK 140/80d			
		Busbar hole 81x31 mm (see fig.)			
		Rated burden (VA)			
		5-2,5	10-5	15-7,5	30-15
600-300A	0,5 1 3	X	X		
800-400A	0,5 1 3	X	X	X	
1000-500A	0,5 1 3		X	X	X
1200-600A	0,5 1 3		X	X	X
1600-800A	0,5 1 3		X	X	X
2000-1000A	0,5 1 3		X	X	X

MAK140/80t

These current transformers can be used three range by re-switching the secondary windings.

Rated primary current I_n	Ac. cl.	Type: MAK 140/80t		
		Busbar hole 81x31mm (see fig.)		
		Rated burden (VA)		
		10-5-2,5	20-10-5	30-15-7,5
1200-600-300A	0,5 1 3	X	X	X
1600-800-400A	0,5 1 3	X	X	X
2000-1000-500A	0,5 1 3	X	X	X

Order specification:

- Ring-type current transformer.
- Class of accuracy: 0.5
- Rated primary current: 1000-500 A.
- Rated secondary current: 5 A.
- Rated burden: 10-5 VA
- Busbar dimension: 2x80x10 mm or \varnothing 73 mm.

MAK 140/80d	1000-500/5 A	Cl. 0,5	10-5VA
-------------	--------------	---------	--------