



MAK 62/40

For currents from 100A to 800A.

Type: ring / busbar

Standards: acc. to BS 3938, EN 60044-1 and DIN 42600

Technical data:

| | |
|-----------------------------------|-------------------------------------|
| Class of accuracy: | 0.2 ... 3 (see table). |
| Rated burden: | max. 10 VA (see table). |
| Rated voltage: | 720 V. |
| Rated frequency: | 50-60 Hz. |
| Rated sec. current: | 5 A or 1 A on request. |
| Security factor: | FS 5 |
| Working temperature range: | -20 ... +45°C. |
| High voltage test: | 4 kV _{eff} , 50 Hz, 1 min. |
| Insulation class: | E (max. 120°C) |
| Protection: | IP 00. |
| Case: | non-flammable plastic, UL 94 V-0. |



| Rated primary current I_n | Acc. cl. | Type: MAK 62 / 40 | | | | |
|--------------------------------|----------|-----------------------------------|-----|-----|------|---|
| | | Busbar hole 40,5x11 mm (see fig.) | | | | |
| | | Rated burden (VA) | | | | |
| | | 1 | 1,5 | 2,5 | 3,75 | 5 |
| 100 A | 0,5 | | | | | |
| | 1 | x | | | | |
| | 3 | | x | | | |
| 120 A | 0,5 | | | | | |
| | 1 | x | x | | | |
| | 3 | | x | x | | |
| 125 A | 0,5 | | | | | |
| | 1 | x | x | | | |
| | 3 | | x | x | | |
| 150 A | 0,5 | | | | | |
| | 1 | | x | x | | |
| | 3 | | | | x | |
| 200 A | 0,2 | x Δ | | | | |
| | 0,5 | | x | | x | |
| | 1 | | | x | x | |
| 250 A | 0,2 | x Δ | x Δ | | | |
| | 0,5 | | | x | | |
| | 1 | | | | | x |
| | 3 | | | | | x |

| Rated primary current I_n | Acc. cl. | Type: MAK 62 / 40 | | | | | |
|--------------------------------|----------|------------------------|-----|------|-----|-----|----|
| | | Busbar hole 40,5x11 mm | | | | | |
| | | Rated burden (VA) | | | | | |
| | | 1,5 | 2,5 | 3,75 | 5 | 7,5 | 10 |
| 300 A | 0,2 | | | | | | |
| | 0,5 | x Δ | | | | | |
| | 1 | | | | x | | |
| 400 A | 0,2 | | | | | | |
| | 0,5 | Δ | x Δ | | | | |
| | 1 | | | | x | | |
| 500 A | 0,2 | | | | | | |
| | 0,5 | | Δ | Δ | x | | |
| | 1 | | | | x | x | |
| 600 A | 0,2 | | | | | | |
| | 0,5 | | Δ | | x Δ | x | |
| | 1 | | | | x | x | |
| 750 A | 0,2 | | | | | | |
| | 0,5 | | | | x Δ | | x |
| | 1 | | | | x | | x |
| 800 A | 0,2 | | | | | | |
| | 0,5 | | | | x Δ | | x |
| | 1 | | | | x | | x |
| | | | | | x | | v |

Δ = 0,2S

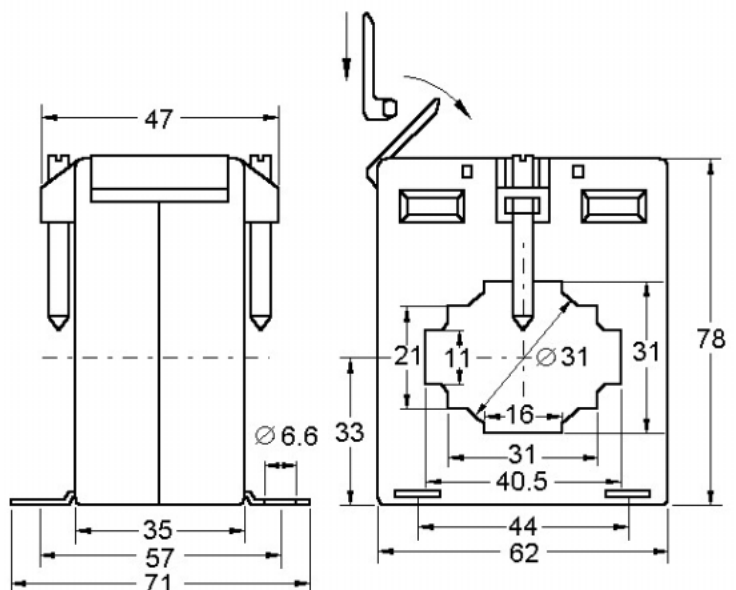
Order specification:

- Ring-type current transformer.
- Class of accuracy: 0.5
- Rated primary current: 600 A.
- Rated secondary current 5 A
- Rated burden: 5 VA
- Busbar dimension: 40x10 mm.

| | | | |
|-----------|--------|---------|-----|
| MAK 62/40 | 600/5A | Cl. 0,5 | 5VA |
|-----------|--------|---------|-----|

Note:

- On request orders for types different from table are accepted.
 - On request order for clip for DIN EN 50 022 rail are accepted.
- Cat. No. 12-3044-94.



MAK62/40d

These current transformers can be used two range by re-switching the secondary windings.

| Rated primary current I_n | Ac. cl. | Type: MAK 62/40d | |
|--------------------------------|---------------|-----------------------------------|--------|
| | | Busbar hole 40,5x11 mm (see fig.) | |
| | | Rated burden (VA) | |
| | | 5-2,5 | 10-5 |
| 200-100A | 0,5 1 3 | x | |
| 300-150A | 0,5 1 3 | x | |
| 400-200 A | 0,5 1 3 | x | x |
| 500-250 A | 0,5 1 3 | x | x x |
| 600-300A | 0,5 1 3 | x x | x x |
| 800-400 A | 0,5 1 3 | | x x |

Order specification:

- Two range current transformer.
- Class of accuracy: 1
- Rated primary current: 800-400 A
- Rated secondary current: 5A
- Rated burden: 10-5 VA
- Busbar dimension: 40x10mm

| | | |
|-------------------|-------------------|---------------------|
| MAK 62/40d | 800-400/5A | Cl. 1 10-5VA |
|-------------------|-------------------|---------------------|