

## MAK 62/W

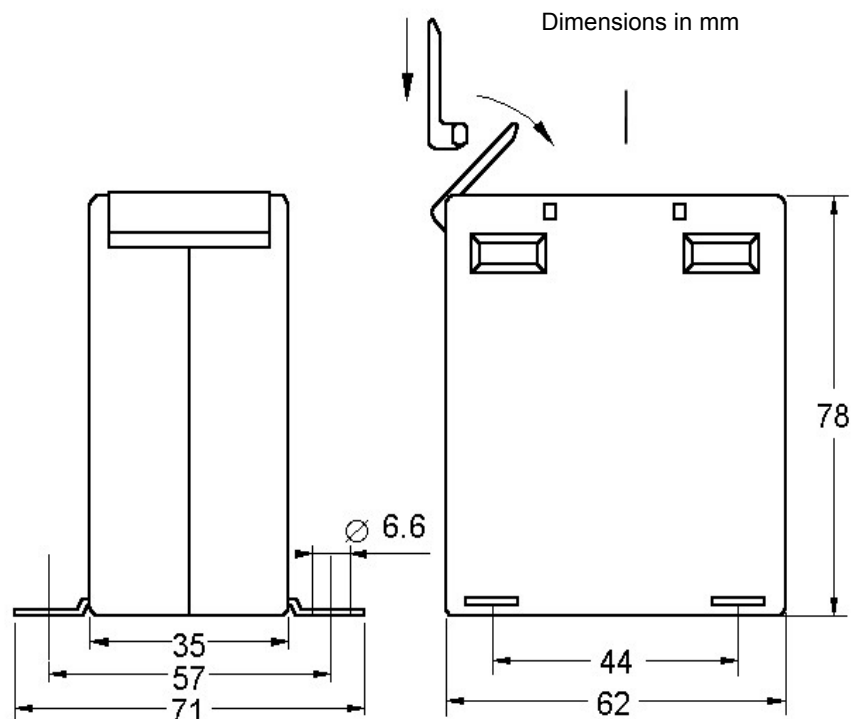
For currents from 1 A to 25 A  
 Type: primary winding  
 Standards: acc. to BS 3938, EN 60044-1 and DIN 42600

### Technical data:

**Class of accuracy:** 0.2 ... 1 (see table).  
**Rated burden:** max. 10 VA (see table).  
**Rated voltage:** 720 V.  
**Rated frequency:** 50-60 Hz.  
**Rated sec. current:** 5 A (or 1 A on request).  
**Security factor:** **FS 5**  
**Working temperature range:** -20 ... +45°C.  
**Insulation class:** E (max. 120°C)  
**High voltage test:** 4 kV<sub>eff</sub>, 50 Hz, 1 min.  
**Protection:** IP 00.  
**Case:** non-flammable plastic, UL 94 V-0.



Rated primary current $I_n$	Acc. class	Type: MAK 62 / W		
		Rated burden (VA)		
		2,5	5	10
1 A	0,2	x		
	0,5		x	x
	1		x	x
2.5 A	0,2	x		
	0,5		x	x
	1		x	x
5 A	0,2	x		
	0,5		x	x
	1		x	x
7.5 A	0,2	x		
	0,5		x	x
	1		x	x
10 A	0,2	x		
	0,5		x	x
	1		x	x
15 A	0,2	x		
	0,5		x	x
	1		x	x
20 A	0,2	x		
	0,5		x	x
	1		x	x
25 A	0,2	x		
	0,5		x	x
	1		x	x



### Order specification:

- Current transformer with primary winding
- Class of accuracy: 0,5
- Rated primary current: 15 A
- Rated secondary current: 5 A
- Rated burden: 5 VA

MAK 62/W 15/5A Cl. 0,5 5VA

### Note:

- On request orders for types different from table are accepted.
  - On request order for clip for DIN EN 50 022 rail are accepted.
- Cat. No. 12-3044-94