



MAK 74/W

For currents from 1 A to 50 A

Type: primary winding

standards: acc. to BS 3938, EN 60044-1 and DIN 42600

Technical data:

- Class of accuracy:** 0.2 ... 1 (see table).
- Rated burden:** max. 15 VA (see table).
- Rated voltage:** 720 V.
- Rated frequency:** 50-60 Hz.
- Rated sec. current:** 5 A (or 1 A on request).
- Security factor:** FS 5 FS10
- Working temperature range:** -20 ... +45°C.
- High voltage test:** 4 kV_{eff}, 50 Hz, 1 min.
- Insulation class:** E (max. 120°C)
- Protection:** IP 00.
- Case:** non-flammable plastic, UL 94 V-0.



Rated primary current I_n	Acc. class	Type: MAK 74 / W			Primary terminal screw
		Rated burden (VA)			
		5	10	15	
1 A	0,2	x			M4
	0,5	x	x	x	
	1	x	x	x	
2,5 A	0,2	x			
	0,5	x	x	x	
	1	x	x	x	
5 A	0,2	x			
	0,5	x	x	x	
	1	x	x	x	
7,5 A	0,2	x			
	0,5	x	x	x	
	1	x	x	x	
10 A	0,2	x			
	0,5	x	x	x	
	1	x	x	x	
15 A	0,2	x			
	0,5	x	x	x	
	1	x	x	x	

Rated primary current I_n	Acc. class	Type: MAK 74 / W			Primary terminal screw
		Rated burden (VA)			
		5	10	15	
20 A	0,2	x			M5
	0,5	x	x	x	
	1	x	x	x	
25 A	0,2	x			
	0,5	x	x	x	
	1	x	x	x	
30 A	0,2	x			
	0,5	x	x	x	
	1	x	x	x	
40 A	0,2	x			
	0,5	x	x	x	
	1	x	x	x	
50 A	0,2	x			
	0,5	x	x	x	
	1	x	x	x	

Dimensions in mm

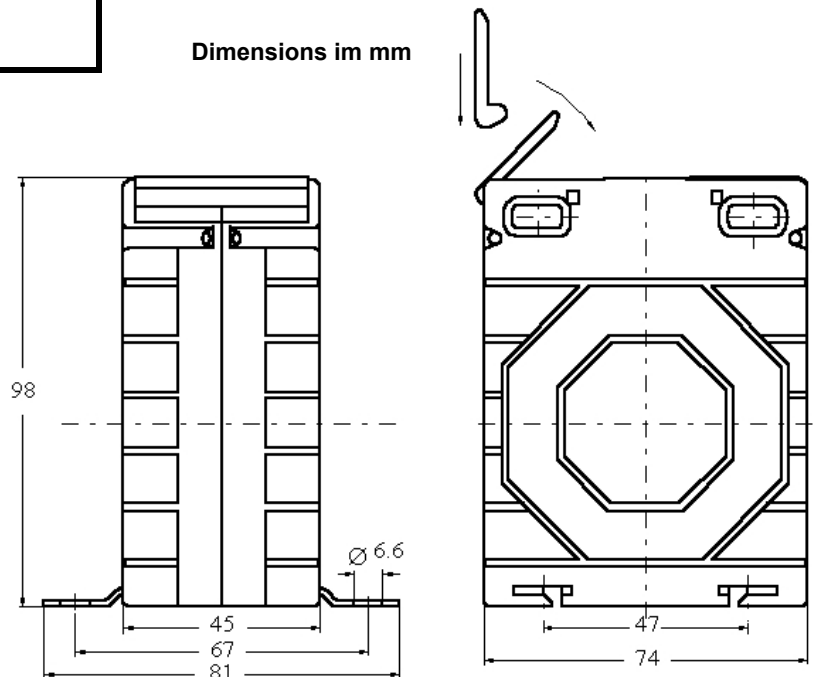
Order specification:

- Ring-type current transformer
- Class of accuracy: 0,5
- Rated primary current: 25 A.
- Rated secondary current: 5 A.
- Rated burden: 15 VA

MAK 74/W 25/5A Cl. 0,5 15VA

Note:

- On request orders for types different from table are accepted
- On request order for clip for DIN EN 50 022 rail are accepted
- Cat. No. 12-3044-94



385 ... 440 gr