

MAK 86/60

For currents from 100 A to 1600 A.

Type: ring / busbar

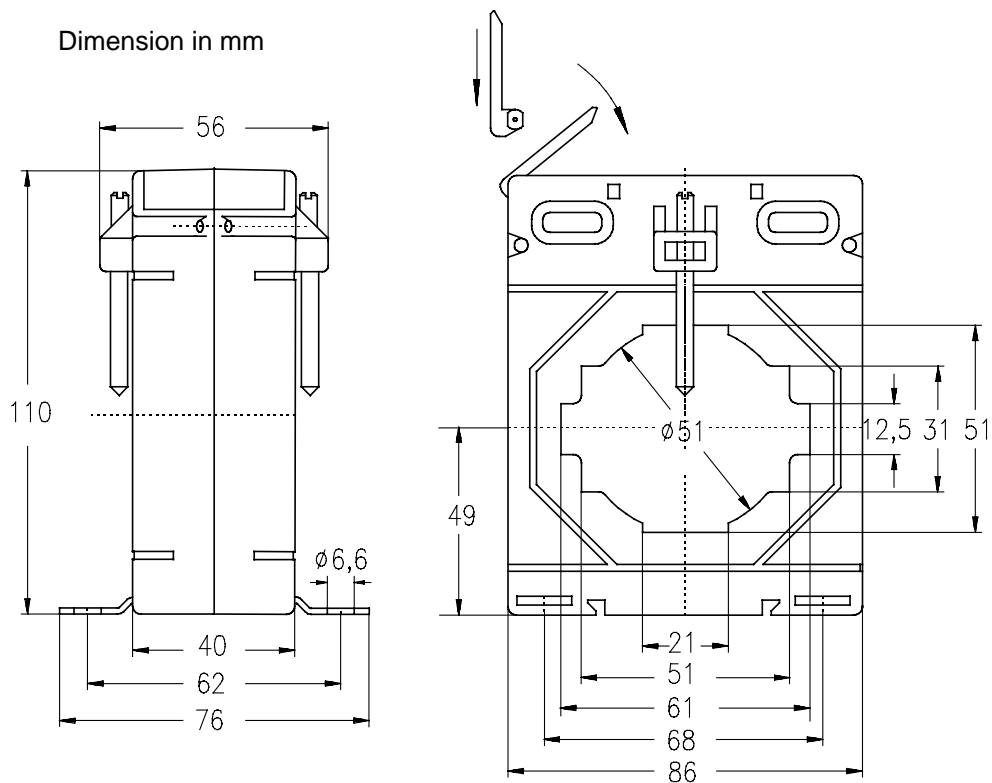
Standards: acc. to BS 3938, EN 60044-1 and DIN 42600

Technical data:

Class of accuracy:	0.2 ... 3 (see table).
Rated burden:	max. 20 VA (see table).
Rated voltage:	720 V.
Rated frequency:	50-60 Hz.
Rated sec. current:	5 A (or 1 A on request).
Security factor:	<input type="checkbox"/> FS5 <input type="checkbox"/> FS10
Working temperature range:	-20 ... +45°C.
High voltage test:	4 kV _{eff} , 50 Hz, 1 min.
Insulation class:	E (max. 120°C)
Protection:	IP 00.
Case:	made of non-flammable plastic, UL 94 V-0.



Outline drawing of MAK 86/60



Weight: 460...560gr

Different types of MAK 86/60 current transformers see table on next page



CURRENT TRANSFORMERS



Table with different types of MAK 86/60 current transformers.

Rated Primary Current I_n	Acc. class	Type: MAK 86/60								
		Busbar hole dimensions: 61x12,5 mm (see outline drawing)								
		Rated Burden (VA)								
		1.5	2.5	3.75	5	7.5	10	12.5	15	20
100 A	0,2 0,5 1 3	x								
120 A	0,2 0,5 1 3	x	x							
125 A	0,2 0,5 1 3		x	x						
150 A	0,2 0,5 1 3		x	x						
200 A	0,2 0,5 1 3	x		x	x					
250 A	0,2 0,5 1 3		x		x	x				
300 A	0,2 0,5 1 3	x Δ			x x	x				
400 A	0,2 0,5 1 3	Δ	x Δ		x x		x x	x		x
500 A	0,2 0,5 1 3		Δ	x	x x		x x	x		x
600 A	0,2 0,5 1 3		Δ		x Δ x x		x x		x x x	x
750 A	0,2 0,5 1				x Δ x x		x x x		x x x	x
800 A	0,2 0,5 1				x Δ x x	Δ	x x x	x	x x x	x x
1000 A	0,2 0,5 1				x Δ x x		x Δ x x		x x x	x x
1200 A	0,2 0,5 1				x Δ x x		x Δ x x		x x x	x x
1250 A	0,2 0,5 1				x Δ x x		x Δ x x		x x x	x x
1500 A	0,2 0,5 1				x Δ x x		x Δ x x		x x x	x x
1600 A	0,2 0,5 1				x Δ x x		x Δ x x		x x x	x x

$\Delta = 0,2S$

Order specification:

- Ring-type current transformer.
- Class of accuracy: 0.5
- Rated primary current: 1000 A.
- Rated secondary current: 5 A
- Rated burden: 20 VA
- Busbar dimension: 60x12,5 mm or \varnothing 50 mm

MAK 86/60 1000/5 A Cl. 0,5 20VA

Note: on request orders for types different from table are accepted.
On request order for clip for DIN EN 50 022 rail are accepted.
Cat. No. 12-3044-94.

MAK 86/60d

These current transformers can be used two range by re-switching the secondary windings.

Rated primary current I_n	Acc. cl.	Type: MAK 86/60d		
		Busbar hole 61x12,5 mm (see fig.)		
		Rated burden (VA)		
		5-2,5	10-5	15-7,5
300-150A	0,5 1 3	x		
400-200A	0,5 1 3	x	x	
500-250A	0,5 1 3	x	x	
600-300A	0,5 1 3	x	x	x
800-400A	0,5 1 3		x	x
1000-500A	0,5 1 3		x	x
1200-600A	0,5 1 3		x	x

MAK 86/60t

These current transformers can be used three range by re-switching the secondary windings.

Rated primary current I_n	Acc. cl.	Type: MAK 86/60t	
		Busbar hole 61x12,5mm (see fig.)	
		Rated Burden (VA)	
		10-5-2,5	20-10-5
800-400-200A	0,5 1 3	x	x
1000-500-250A	0,5 1 3	x	x
1200-600-300A	0,5 1 3	x	x

Order specification:

- Ring-type current transformer.
- Class of accuracy: 0,5
- Rated primary current: 1200-600-300 A.
- Rated secondary current: 5 A
- Rated burden: 10-5-2,5 VA
- Busbar dimension: 60x12,5 mm

MAK 86/60t	1200-600-300/5 A	Cl. 0,5 10-5-2,5VA
------------	------------------	--------------------