



CTC 104/60

Two in one: combination of current transformer and electronic transducer. The two components are built into the same case. **It is self powered.** The C.T. provides a galvanic isolation between the sensing circuit, the electronic circuit and mains.

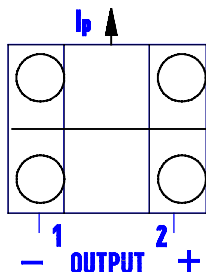
Technical data:

Class of accuracy:	0.5	
Input:	100...1000 A AC	
Accuracy range:	20...120% I_N	
Rated voltage:	720 V.	
Output (DC):	20 mA	10 V
Rated burden:	$R_L = 0...200 \Omega$	$R_L > 2 k$
Rated frequency:	50-60 Hz.	
Working temperature range:	0 ... +45°C.	
High voltage test:	4 kV _{eff} , 50 Hz, 1 min.	
Insulation class:	E (max. 120°C)	
Protection:	IP 00.	
Case:	non-flammable plastic, UL 94 V-0.	

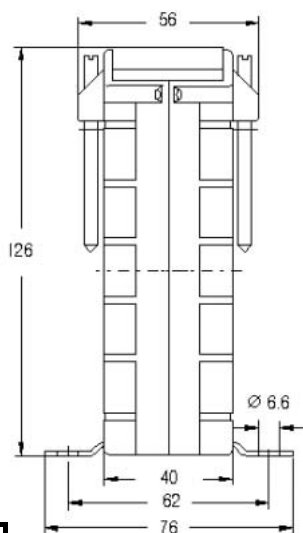


CTC 104/60					
INPUT	OUTPUT	INPUT	OUTPUT	INPUT	OUTPUT
100 A	0 ... 20 mA	250 A	0 ... 20 mA	600 A	0 ... 20 mA
	0 ... 10 V		0 ... 10 V		0 ... 10 V
125 A	0 ... 20 mA	300 A	0 ... 20 mA	750 A	0 ... 20 mA
	0 ... 10 V		0 ... 10 V		0 ... 10 V
150 A	0 ... 20 mA	400 A	0 ... 20 mA	800 A	0 ... 20 mA
	0 ... 10 V		0 ... 10 V		0 ... 10 V
200 A	0 ... 20 mA	500 A	0 ... 20 mA	1000 A	0 ... 20 mA
	0 ... 10 V		0 ... 10 V		0 ... 10 V

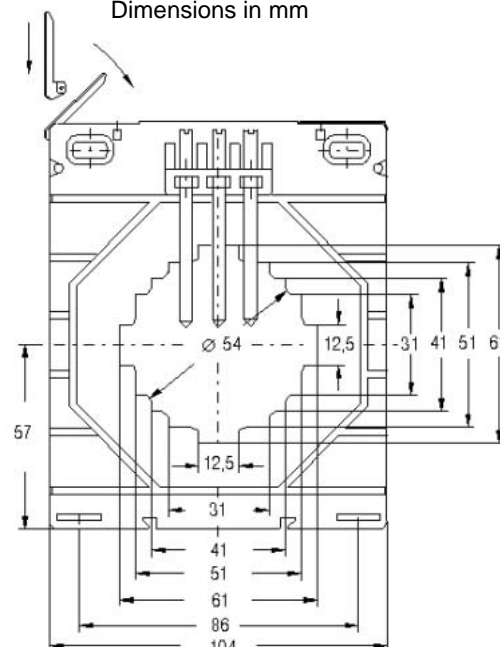
Connection diagram



Outline drawing



Dimensions in mm



Order specification:

AC current transformer with transducer, self powered
 Input current: 1000 A
 Output: 0...20 mA
 Class of accuracy: 0.5

CTC 104/60 1000A 0...20 mA Cl. 0.5

Note:

- On request orders for types different from table are accepted.
 - On request order for clip for DIN EN 50 022 rail are accepted.
- Cat. No. 12-3044-94.

Weight: 650 760 gr