



## CTC 74/20

Two in one: combination of current transformer and electronic transducer.  
The two components are built into the same case. **It is self powered.**  
The C.T. provides a galvanic isolation between the sensing circuit, the electronic circuit and mains.

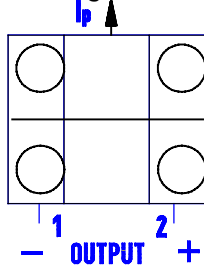
### Technical data:

<b>Class of accuracy:</b>	0.5	
<b>Input:</b>	25...200 A AC	
<b>Accuracy range:</b>	20...120% $I_N$	
<b>Rated voltage:</b>	720 V.	
<b>Output (DC):</b>	0...20 mA	10 V
<b>Rated burden:</b>	$R_L = 0...200 \Omega$	$R_L > 2 k$
<b>Rated frequency:</b>	50-60 Hz.	
<b>Working temperature range:</b>	0 ... +45°C.	
<b>High voltage test:</b>	4 kV <sub>eff</sub> , 50 Hz, 1 min.	
<b>Insulation class:</b>	E (max. 120°C)	
<b>Protection:</b>	IP 00.	
<b>Case:</b>	non-flammable plastic, UL 94 V-0.	



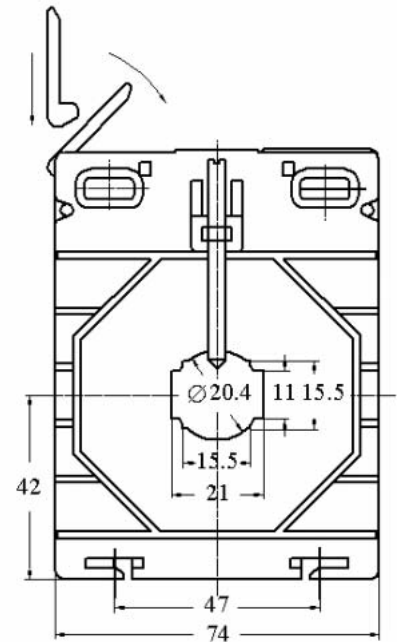
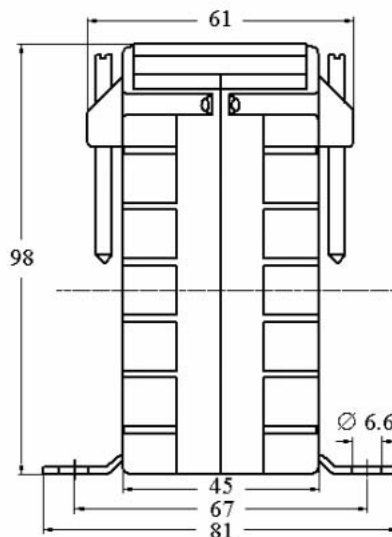
CTC 74/20					
INPUT	OUTPUT	INPUT	OUTPUT	INPUT	OUTPUT
25 A	0 ... 20 mA	60 A	0 ... 20 mA	120 A	0 ... 20 mA
	0 ... 10 V		0 ... 10 V		0 ... 10 V
30 A	0 ... 20 mA	75 A	0 ... 20 mA	125 A	0 ... 20 mA
	0 ... 10 V		0 ... 10 V		0 ... 10 V
40 A	0 ... 20 mA	80 A	0 ... 20 mA	150 A	0 ... 20 mA
	0 ... 10 V		0 ... 10 V		0 ... 10 V
50 A	0 ... 20 mA	100 A	0 ... 20 mA	200 A	0 ... 20 mA
	0 ... 10 V		0 ... 10 V		0 ... 10 V

Connection diagram



Outline drawing

Dimensions in mm.



### Order specification:

AC current transformer with transducer  
self powered  
Input current: 100 A  
Output: 0...20 mA  
Class of accuracy: 0.5

**CTC 74/20 100 A 0...20 mA Cl. 0.5**

Weight: 580-680 gr

### Note:

- On request orders for types different from table are accepted.
  - On request order for clip for DIN EN 50 022 rail are accepted.
- Cat. No. 12-3044-94.