



# CURRENT TRANSFORMERS WITH TRANSDUCER



## CTC 74/20H

Two in one: combination of current transformer and electronic transducer.  
 The two components are built into the same case.  
 The C.T. provides a galvanic isolation between the sensing circuit, the electronic circuit and mains.

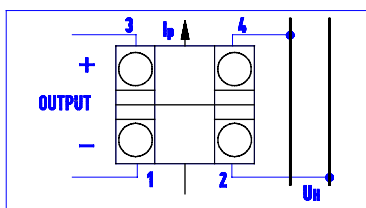
### Technical data:

<b>Class of accuracy:</b>	0.5	
<b>Input:</b>	25...200 A AC	
<b>Rated voltage:</b>	720 V.	
<b>Output (DC):</b>	0...20 mA	4...20 mA
<b>Rated burden:</b>	$R_L=0...200 \Omega$	$R_L > 2 k$
<b>Mains:</b>	230 V $\pm$ 10%	
<b>Rated frequency:</b>	50-60 Hz.	
<b>Working temperature range:</b>	0 ... +45°C.	
<b>High voltage test:</b>	4 kV <sub>eff</sub> , 50 Hz, 1 min.	
<b>Insulation class:</b>	E (max. 120°C)	
<b>Protection:</b>	IP 00.	
<b>Case:</b>	non-flammable plastic, UL 94 V-0.	



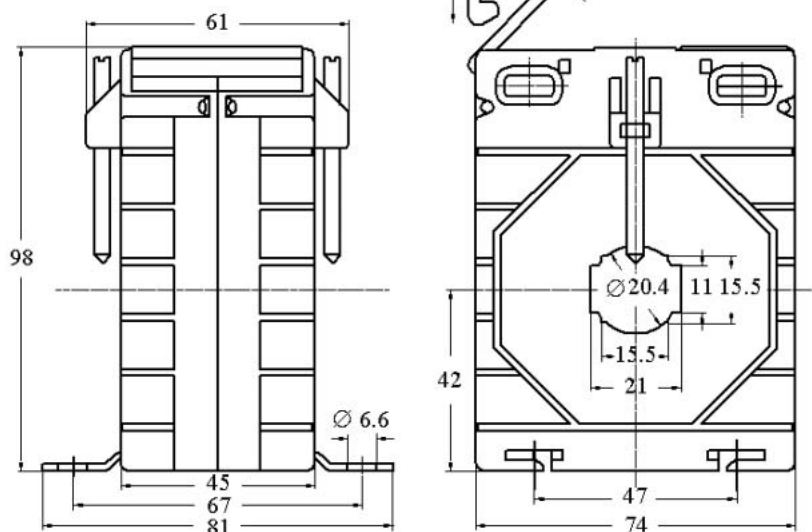
CTC 74/20H					
INPUT	OUTPUT	INPUT	OUTPUT	INPUT	OUTPUT
10 A	4 ... 20 mA	50 A	4 ... 20 mA	120 A	4 ... 20 mA
	0 ... 20 mA		0 ... 20 mA		0 ... 20 mA
	0 ... 10 V		0 ... 10 V		0 ... 10 V
20 A	4 ... 20 mA	60 A	4 ... 20 mA	125 A	4 ... 20 mA
	0 ... 20 mA		0 ... 20 mA		0 ... 20 mA
	0 ... 10 V		0 ... 10 V		0 ... 10 V
25 A	4 ... 20 mA	75 A	4 ... 20 mA	150 A	4 ... 20 mA
	0 ... 20 mA		0 ... 20 mA		0 ... 20 mA
	0 ... 10 V		0 ... 10 V		0 ... 10 V
30 A	4 ... 20 mA	80 A	4 ... 20 mA	200 A	4 ... 20 mA
	0 ... 20 mA		0 ... 20 mA		0 ... 20 mA
	0 ... 10 V		0 ... 10 V		0 ... 10 V
40 A	4 ... 20 mA	100 A	4 ... 20 mA		
	0 ... 20 mA				
	0 ... 10 V				

Connection diagram



Outline drawing

Dimensions in mm.



### Order specification:

AC current transformer with transducer  
 Input current: 100 A  
 Output: 4...20 mA  
 Class of accuracy: 0.5

**CTC 74/20H 100 A 4...20 mA Cl. 0.5**

**Note:** -On request orders for types different from table are accepted.  
 -On request order for clip for DIN EN 50 022 rail are accepted  
 Cat. No. 12-3044-94.

Weight: 620-720 gr