

SCT 104/50

For currents from 150 A to 1000 A.
 Type: split core
 Standards: according to BS 3938, EN 60044-1 and DIN 42600

Technical data

Class of accuracy: 1 ... 3 (see table).
Rated burden: max. 20 VA (see table).
Rated voltage: 720 V.
Rated frequency: 50-60 Hz.
Rated sec. current: 5 A (or 1 A on request).
Working temperature range: -20 ... +45 °C.
High voltage test: 3 kV_{eff}, 50 Hz, 1 min.
Insulation class: E (max. 120°C)
Protection: IP 00.
Case: non-flammable plastic, UL 94 V-0.



Rated primary current I_n	Ac. cl.	Type: SCT 104/50					
		Busbar hole 51x51 mm (see fig)					
		Rated burden [VA]					
		1,5	2,5	3,75	5	7.5	10
150 A	1						
	3	x					
200 A	1	x					
	3		x				
250 A	1	x					
	3			x			
300 A	1	x					
	3				x		
400 A	1		x				
	3						x

Rated primary current I_n	Ac. cl.	Type: SCT 104/50						
		Busbar hole 51x51 mm (see fig)						
		Rated burden [VA]						
		2,5	3,75	5	7,5	10	15	20
500 A	1			x				
	3					x		
600 A	1			x	x			
	3						x	
750 A	1			x	x			
	3							
800 A	1			x		x		
	3						x	
1000 A	1			x		x		
	3							x

Order specification:

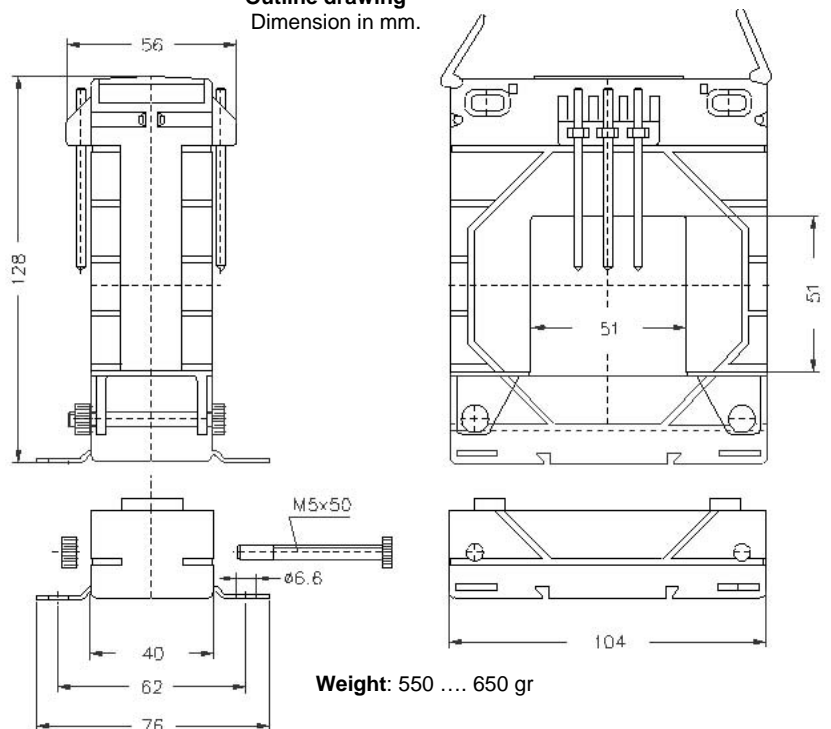
- Split core-type current transformer
- Class of accuracy: 1
- Rated primary current: 800 A.
- Rated secondary current: 1 A.
- Rated burden: 5 VA
- Busbar dimension: 51 x 51 mm

SCT 104 /50 800/1 A Cl. 1 5VA

Note:

On request orders for types different from table are accepted.
 On request order for clip for DIN EN 50 022 rail are accepted.
 Cat. No. 12-3044-94.

Outline drawing
 Dimension in mm.



Weight: 550 650 gr