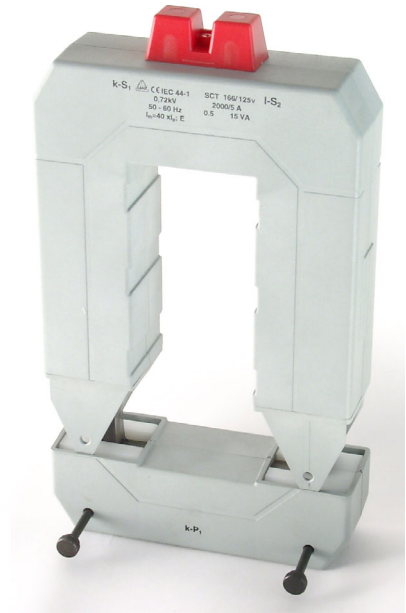


## SCT 166/125

For currents from 500 A to 3000 A  
 Type: split core The current transformers are made  
 Standards: acc. to BS 3938, EN 60044-1 and DIN 42600

### Technical data:

**Class of accuracy:** 1 ... 3 (see table)  
**Rated burden:** max. 30 VA (see table)  
**Rated voltage:** 720 V  
**Rated frequency:** 50-60 Hz  
**Rated sec. current:** 5 A (or 1 A on request)  
**Working temperature range:** -20 ... +45°C  
**High voltage test:** 4 kV<sub>eff</sub>, 50 Hz, 1 min  
**Insulation class:** E (max. 120°C)  
**Protection:** IP 00  
**Case:** non-flammable plastic, UL 94 V-0



Rated primary current $I_n$	Acc. cl.	Type: SCT 166/125						
		Busbar hole 127x62 mm (see fig.)						
		Rated burden (VA)						
		1,5	2,5	5	7,5	10	15	20
500 A	1		x					
	3			x				
600 A	1		x					
	3			x	x			
800 A	1			x				
	3					x		
1000 A	1			x		x		
	3						x	
1200 A	1			x		x	x	
	3							x
1250 A	1			x		x	x	
	3							x

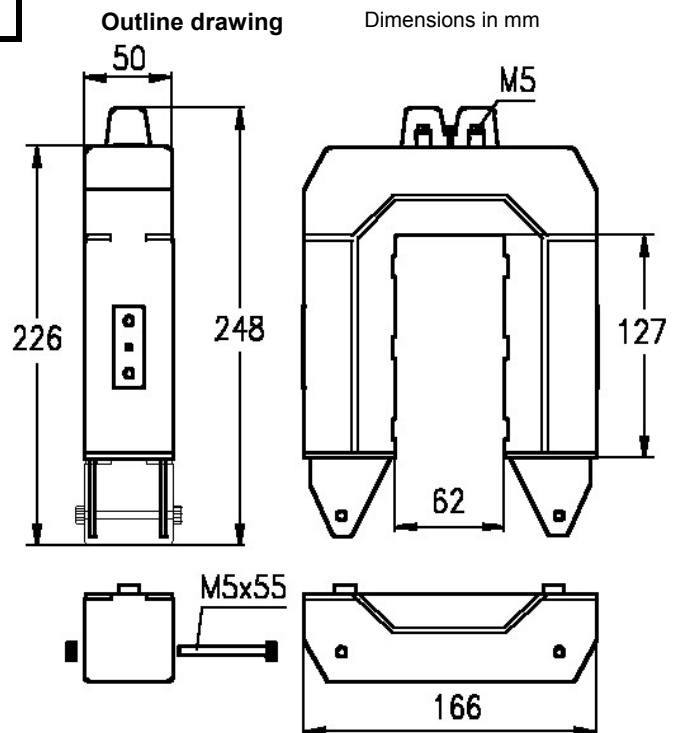
Rated primary current $I_n$	Acc. cl.	Type: SCT 166/125				
		Busbar hole 127x62 mm (see fig.)				
		Rated burden (VA)				
		5	10	15	20	30
1500 A	1	x	x	x		
	3				x	
1600 A	1	x	x	x		
	3				x	
2000 A	1	x	x	x	x	
	3					x
2500 A	1	x	x	x		x
	3					
3000 A	1	x	x	x		x
	3					

### Order specification:

- Split core current transformer
- Class of accuracy: 1
- Rated primary current: 3000 A
- Rated secondary current: 5 A
- Rated burden: 15 VA
- Busbar dimension: 2x120x10 mm

**SCT 166/125 3000/5 A Cl. 1 15VA**

**Note:**  
 On request orders for types different from table are accepted.



Weight:  
 1500-1800 gr