

## SCT 166/165

For currents from 800A to 4000A

Type: split core

Standards: acc. to BS 3938, EN 60044-1 and DIN 42600 standards

### Technical data:

**Class of accuracy:** 1 ... 3 (see table)  
**Rated burden:** max. 30 VA (see table)  
**Rated voltage:** 720 V  
**Rated frequency:** 50-60 Hz  
**Rated sec. current:** 5 A (or 1 A on request)  
**Working temperature range:** -20 ... +45°C  
**High voltage test:** 4 kV<sub>eff</sub>, 50 Hz, 1 min  
**Insulation class:** E (max. 120°C)  
**Protection:** IP 00  
**Case:** made of non-flammable plastic, UL 94 V-0



Rated primary current $I_n$	Ac. cl.	Type: SCT 166/165						
		Busbar hole 167x62 mm (see fig.)						
		Rated burden (VA)						
		1,5	2,5	5	7,5	10	15	20
800 A	1			x				
	3				x			
1000 A	1			x	x			
	3					x		
1250 A	1			x		x		
	3						x	
1500 A	1			x		x	x	
	3							x
1600 A	1			x		x	x	
	3							x

Rated primary current $I_n$	Ac. cl.	Type: SCT 166/165				
		Busbar hole 167x62 mm (see fig.)				
		Rated burden (VA)				
		5	10	15	20	30
2000 A	1	x	x	x	x	
	3					x
2500 A	1	x	x	x	x	
	3					x
3000 A	1	x	x	x		x
	3					
4000 A	1	x	x	x		x
	3					

Outline drawing

Dimensions in mm

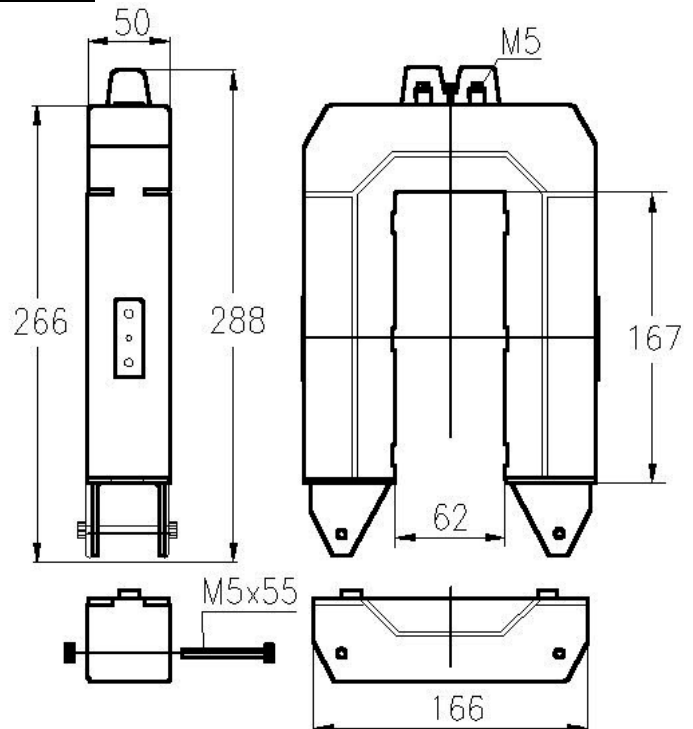
### Order specification:

- Split core current transformer
- Class of accuracy: 1
- Rated primary current: 4000 A
- Rated secondary current: 5 A
- Rated burden: 15 VA
- Busbar dimension: 3x160x10 mm

SCT 166/165 4000/5 A Cl. 1 15VA

### Note:

On request orders for types different from table are accepted.



Weight: 1500-1800 gr