

SCT 74/30

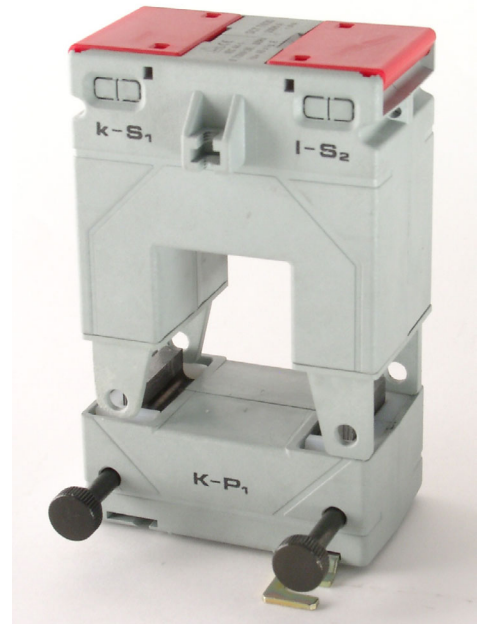
For currents from 100 A to 400 A

Type: split core

Standards: acc. to BS 3938, EN 60044-1 and DIN 42600

Technical data:

Class of accuracy: 1 ... 3 (see table).
Rated burden: max. 10 VA (see table).
Rated voltage: 720 V.
Rated frequency: 50-60 Hz.
Rated sec. current: 5 A (or 1 A on request).
Working temperature range: -20 ... +45°C.
High voltage test: 4 kV_{eff}, 50 Hz, 1 min.
Insulation class: E (max. 120°C)
Protection: IP 00.
Case: non-flammable plastic, UL 94 V-0.



Rated primary current I_n	Acc. cl.	Type: SCT 74/30				
		Busbar hole 31x26 mm (see fig.)				
		Rated burden (VA)				
		1,5	2,5	5	7,5	10
100 A	1					
	3	x				
125 A	1	x				
	3					
150 A	1					
	3		x			
200 A	1	x				
	3			x		
250 A	1	x				
	3			x		
300 A	1		x			
	3				x	
400 A	1			x	x	
	3					x

Order specification:

- Split core-type current transformer
- Class of accuracy: 1
- Rated primary current: 200 A.
- Rated secondary current: 1 A.
- Rated burden: 1,5 VA
- Busbar dimension: 31 x 26 mm

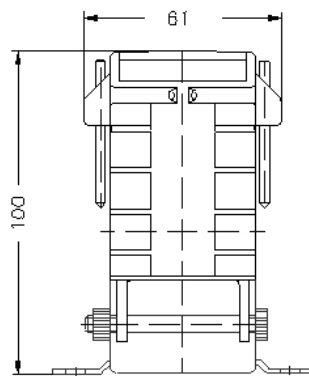
SCT 74/30 200/1 A Cl. 1 1,5VA

Note:

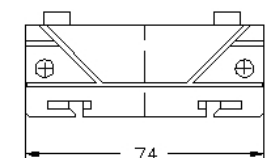
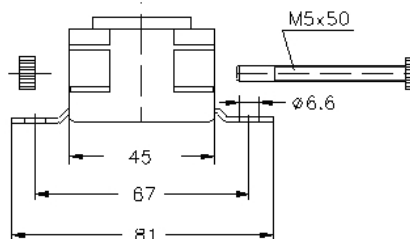
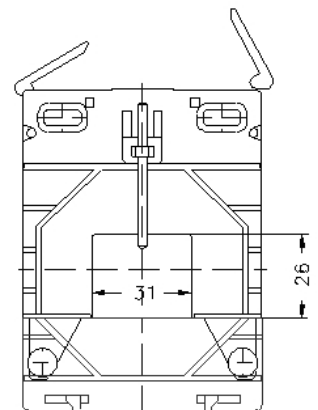
On request orders for types different from table are accepted.

On request order for clip for DIN EN 50 022 rail are accepted.

Cat. No. 12-3044-94.



Outline drawing
Dimensions in mm



Weight: 550...650gr