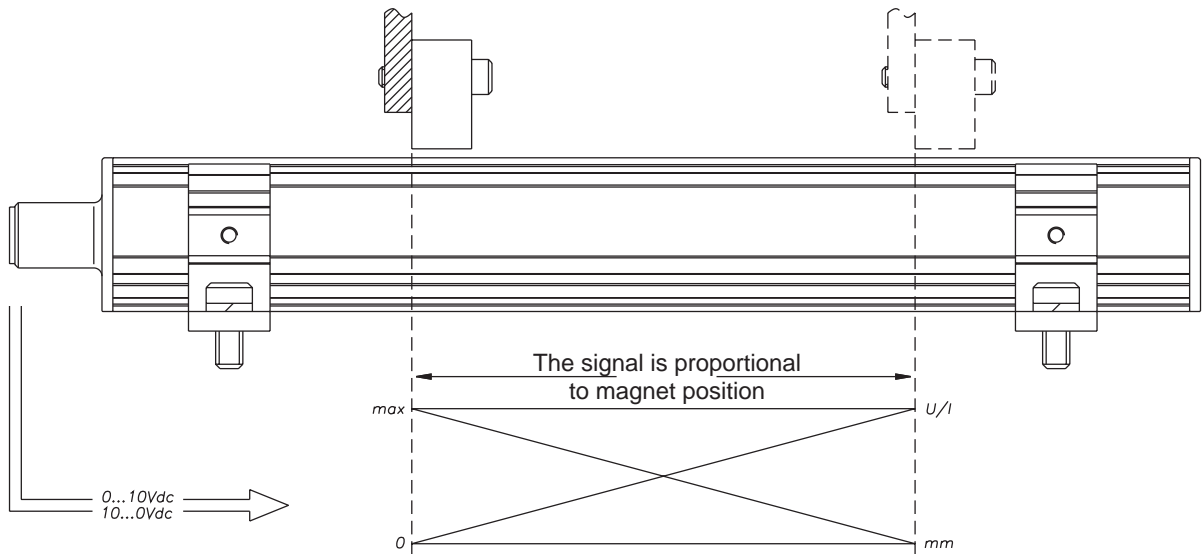


ANALOG OUTPUT

MK3 A

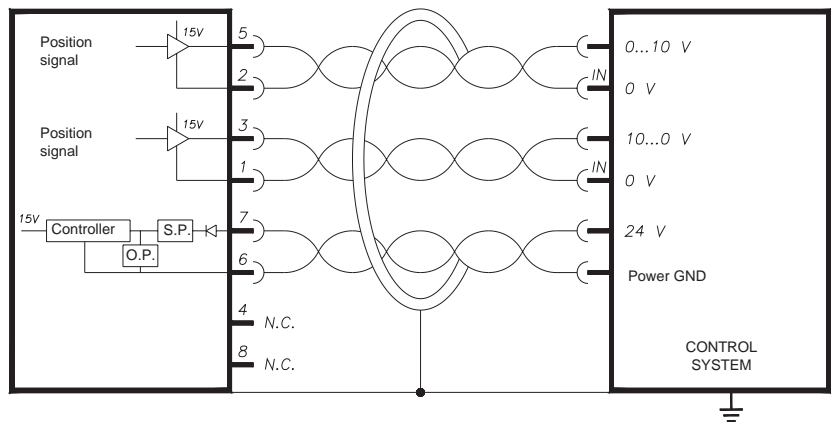
Series MK3 A magnetostrictive transducers supply a direct analog output in voltage (0...10Vdc). The output is also provided in reverse action (10...0Vdc). Since the outputs are direct, no electronic processing of the signal is required if interfaced with controllers or measurement instruments.



CONNECTION DIAGRAM

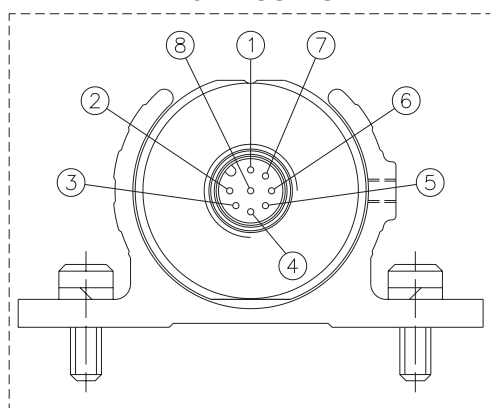
LAYOUTS FOR ELECTRICAL CONNECTIONS:

To guarantee electromagnetic compatibility, the transducer case must be grounded with the cable sheathing on the control system side only.



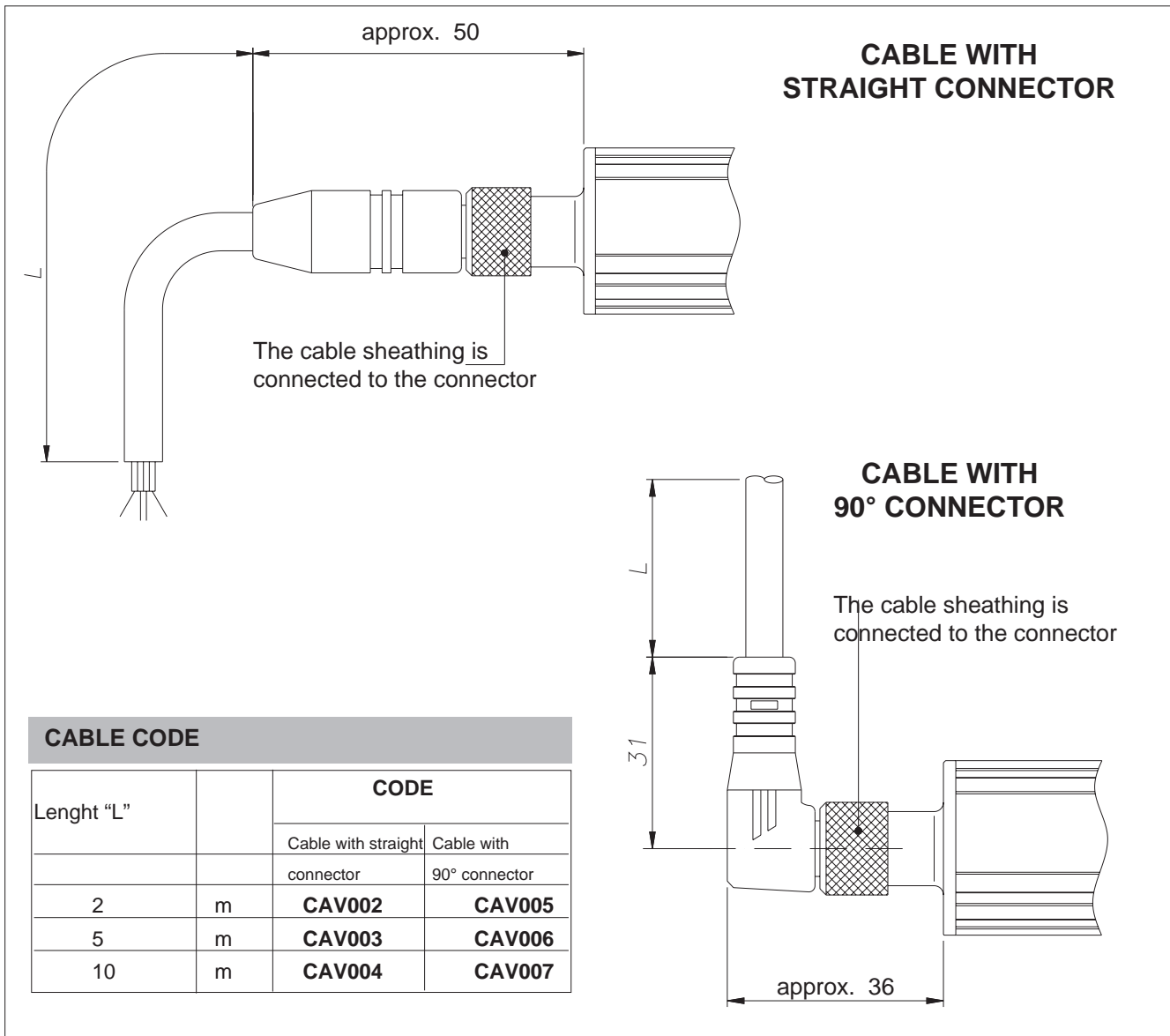
ELECTRICAL CONNECTIONS

MK3A H OUTPUT



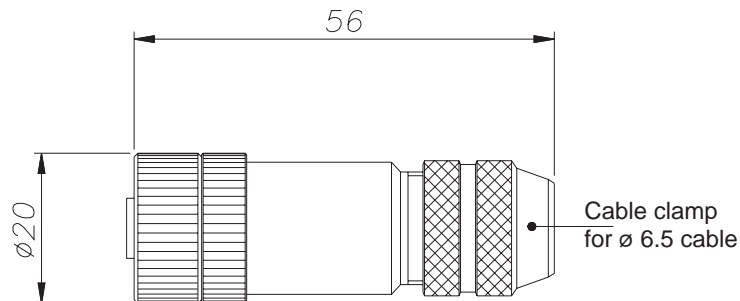
Pin no.	Function	Wire color
1	0 V	yellow
2	0 V	gray
3	10...0 V	pink
4	Reserved, not connected	red
5	0...10 V	green
6	GND	blue
7	+24 V	brown
8	Reserved, not connected	white

GROUND CONNECTION MK3 OUTPUT CONNECTOR H



ACCESSORIES ON REQUEST

Connector: for MK3 H 8-pin output versions



CON035
IP67 - IEC 48 B

Connector extraction length: 10 mm.

GEFRAN spa reserves the right to make aesthetic or functional changes at any time and without notice.

GEFRAN

GEFRAN spa
via Sebina, 74
25050 PROVAGLIO D'ISEO (BS) - ITALIA
tel. 0309888.1 - fax. 0309839063
Internet: <http://www.gefran.com>
www.gefranonline.com



MK3compl-07/04