

MECHANICAL / ELECTRICAL DATA

MODEL		25	50
Useful electrical stroke (C.E.U.) +1/-0	mm	25	50
Theoretical electrical stroke (C.E.T.) ±1	mm	C.E.U. + 1	
Resistance (C.E.T.)	kΩ	1	5
Independent linearity (within C.E.U.)	± %	0,2	0,1
Dissipation at 40° (0W at 120°C)	W	0,6	1,2
Maximum applicable voltage	V	25	60
Mechanical stroke (C.M.)	mm	C.E.U. + 5	
Case length (A)	mm	C.E.U. + 38	
Tip length (B)	mm	43	51
Total length (C)	mm	149	207

ACCESSORIES

STANDARD ACCESSORIES

Fixing kit for PY3:

4 brackets, M4x10 screws, grower

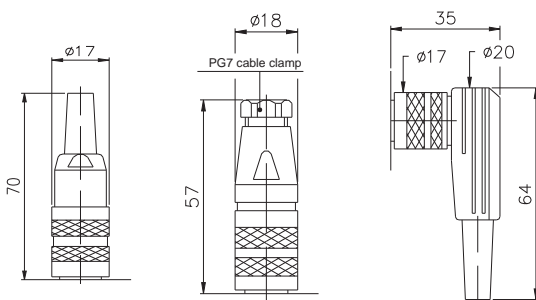
Bearing tip

Code

PKIT005

PTAS001

OPTIONAL ACCESSORIES



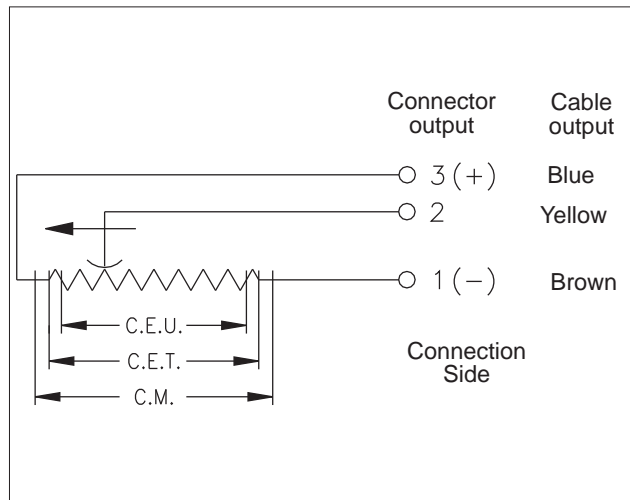
CON011 - IP40 Prot.
(5 pole Female conn.)

CON012 - IP67 Prot.
(5 pole Female conn.)

CON013 - IP40 Prot.
(5 pole Female conn.)

Extraction length of the connector 10 mm.

ELECTRICAL CONNECTIONS



ORDER CODE

Displacement transducer

PY3

Cable output

F

Connector output
DIN43322

C

Model

3-pole PVC cable output
3 x 0,25 1m

S

Connector
output

If requested, it is possible to supply models with non-standard mechanical and/or electrical features

Example: **PY3 - C - 50**

Displacement transducer model PY3, 5-pole connector output, useful electrical stroke (C.E.U.) 50mm.

GEFRAN spa reserves the right to make any kind of design or functional modification at any moment without prior notice



GEFRAN spa
via Sebina, 74
25050 PROVAGLIO D'ISEO (BS) - ITALIA
ph. 0309888.1 - fax. 0309839063
Internet: <http://www.gefran.com>
www.gefranonline.com



cod. 84923-10/00