



## 45DA, 45DV

For measuring DC current or voltage

### Technical data:

<b>Movement:</b>	moving-coil with pivot spring-type bearing
<b>Instrument case:</b>	non-flammable plastic according to UL 94-V1.
<b>Scale length:</b>	40 mm
<b>Permanent overloading:</b>	1.2 fold current res. voltage
<b>Class of accuracy:</b>	1.5
<b>Weight:</b>	0.15 kg
<b>Connections:</b>	screw terminals for cable up to 8mm <sup>2</sup>
<b>Mounting:</b>	rail 35 mm (EN 50022)



### AMMETERS

Measuring ranges	Type: 45DA
	voltage drop or int. resistance
0-50μA.....600μA	max. 200 mV
0- 1 mA.....600 mA	↓
0- 1 A.....15 A	
4-20 mA	
....A/60 mV	12 Ω

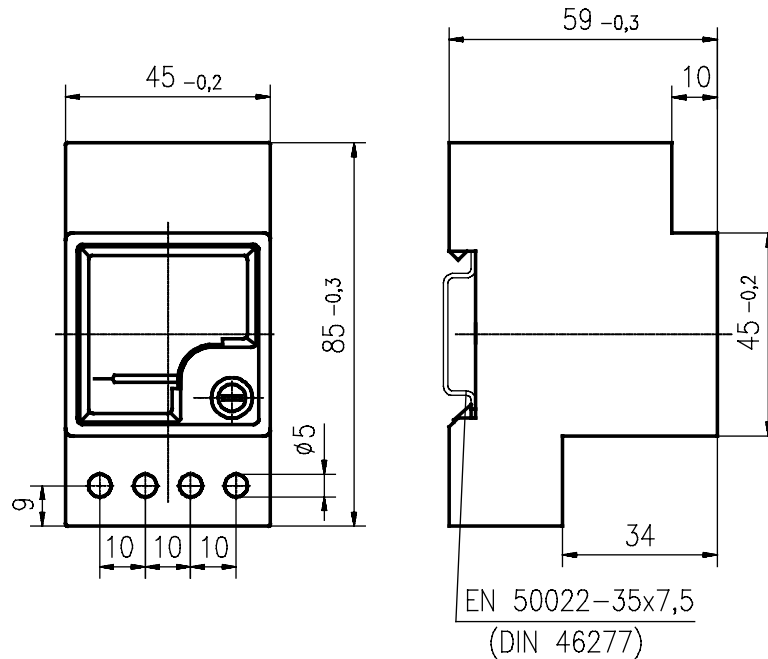
### VOLTMETERS

Measuring ranges	Type: 45DV
	int. resistance
0-50mV.....600mV	max. 200 mV
0- 1 V ....600 V	↓

**Note:** on request types different from tables are accepted.

### Outline drawing

Dimension in mm



### Order specification:

- Moving-coil rail mounted ammeter
- Frame size: 45x45 mm
- Range: 1 mA
- Scale: 0...100 %

### Ordering data:

- 45DA 1 mA
- Scale: 0...100 %