



## 45LA, 45LV

For measuring AC current or voltage.

### Technical data:

**Movement:** moving-iron with spring-type oil filled bearing

**Instrument case:** non-flammable plastic acc. to UL 94-V1.

**Scale length:** 40 mm

**Permanent overloading:** 1.2 -fold current res. voltage.

**Class of accuracy:** 1.5

**Frequency range:** 15...50...100 Hz

**Weight:** 0.15 kg

**Connections:** screw terminals for cable up to 8 mm<sup>2</sup>

**Mounting:** rail 35 mm (EN 50022)



## AMMETERS

Measuring ranges:	45LA
	consumption
0 – 100/200 mA...600/1200 mA	max. 0.5 VA
0 – 1 / 2 A ... 25 / 50 A	↓
... / 1 A *	
... / 5 A *	

\* with current transformer

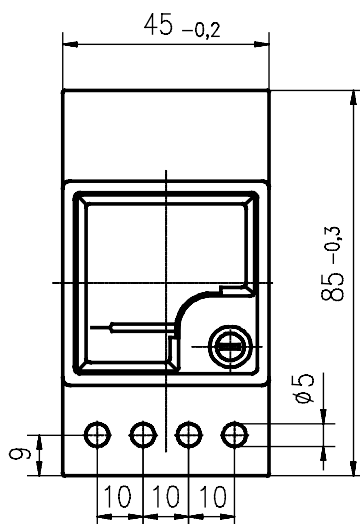
## VOLTMETERS

Measuring ranges:	45LV
	consumption
0 – 6 V ... 600 V	max. 2.5 VA
... / 100 V **	↓
... / 110 V **	

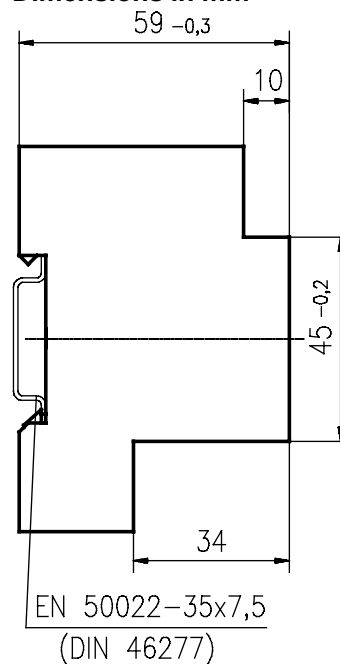
\*\* with voltage transformer

**Note:** on request types different from tables are accepted

### Outline drawing



### Dimensions in mm



### Order specification:

- Moving-iron rail-mounted voltmeter
- Frame size: 45x45 mm
- VT: 20 kV / 100 V
- Scale: 0 – 25 kV

### Ordering data:

- 45LV
- VT: 20 kV / 100 V
- Scale: 0 - 25 kV