



72spDAA, 72spDVV

For measuring DC current or voltage in two networks simultaneously.

Technical data:

- Movement:** moving-coil with pivot spring-type bearing
- Instrument case:** steel plate
- Frame dimensions:** 72 x 72 mm
- Scale length:** 2x 46 mm
- Permanent overloading:** 1.2 -fold current res. voltage
- Class of accuracy:** 1.5
- Weight:** approx. 0.2 kg
- Fixing elements:** two spring-type fastening clips (DIN 43 835 "A")

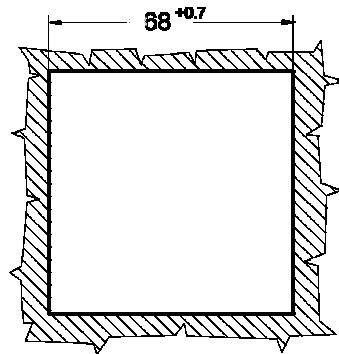
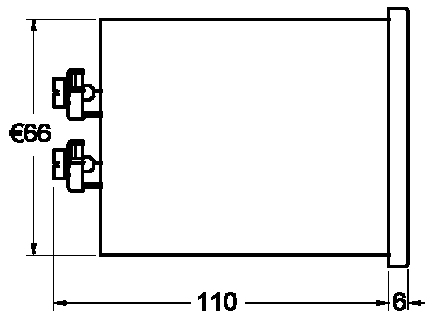
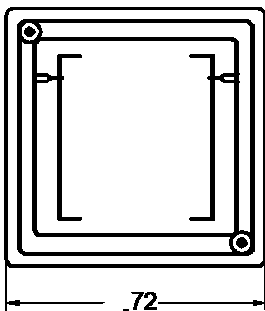


AMMETERS		
Measuring range	Type: 72spDAA	
	Cat. No. 2049-12-...	Internal res. [Ω]
1 mA	-001	40
5 mA	-002	3.5
10 mA	-003	2.5
20 mA	-004	2
4 - 20 mA	-005	2

VOLTMETERS		
Measuring range	Type: 72spDVV	
	Cat. No. 2049-12-...	Internal res. [Ω / V]
60 mV	-101	1000
1 V	-102	
5 V	-103	
10 V	-104	
1 - 5 V	-105	

Note: On request orders for types different from table are accepted.

Dimensions in mm.



Order specification:

- Double voltmeter
- Frame dimensions: 72 x 72 mm
- Measuring range: 1 - 5 V
- Scale: 0...100 %

Ordering data:

- Double voltmeter type: **72spDVV**
- Cat. No: **2049-12-105**
- Scale: 0...100 %

Scale M=1:1

