



96SVP

The instrument gives a useful aid for synchronising. The built-in moving-iron voltmeter shows the voltage, the pointer-type frequency meter shows the frequency of the generator. The built-in „0“-voltmeter indicates the alteration of the voltages on the frequency-difference of the generator, while the LED-type synchronoscope „rotates“ on the difference-frequency, in the direction of the alteration. When the synchron-status, is reached he „rotation“ of the synchronoscope is slowing-down, stops and the „0“-voltmeter indicates „0“ voltage.

Technical data

Movement: Moving-iron movement with spring-type oil filled bearings, practically vibration-free oil damping, and moving-coil movement with pivot and spring-type bearing.

Class of accuracy: 1.5 and 2.5 (voltmeters)
0,5 (frequency meter)

Permanent overload: 1.2 - fold voltage.

Scale length: 3x40 mm

Frequency range: 50 Hz or 60 Hz

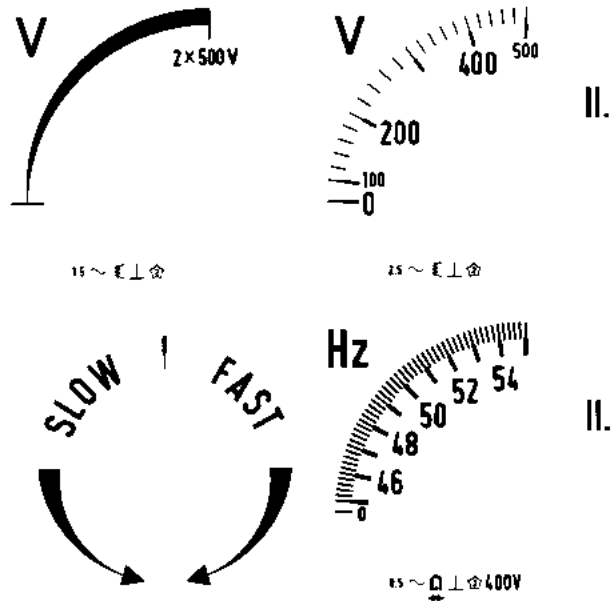
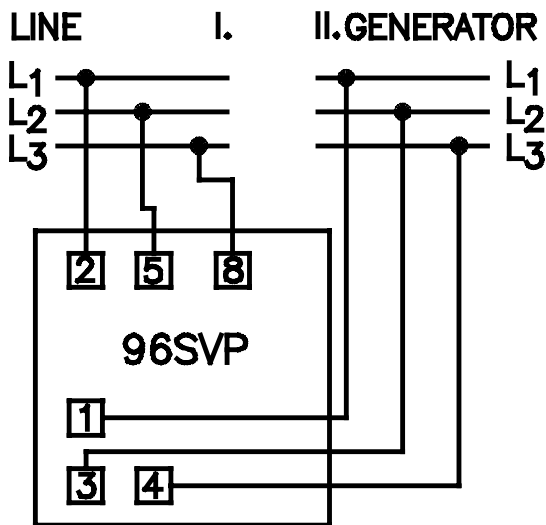
Instrument case: Made of steel-plate.

Weight: -max. 0.8 kg

Fixing elements: with two screw-type fastening clips (DIN 43 835 B)

Measuring range: 45...55 Hz or 55...65 Hz
three-phase 400V

Dimensions: 96 x 96 x 126 mm.



Order specification:

- Switchboard synchronising unit.
- Frame dimension: 96 x 96 mm
- Type: **96SVP**
- Rated voltage: **400 V**