



# MOVING COIL FREQUENCY METERS



## 48DP, 72DP, 96DP, 144 DP

For measuring frequency in sinusoidal AC circuits

### Technical data:

**Movement:** moving-coil with pivot and spring-type bearing

**Instrument case:** non-flammable plastic according to UL 94-V1

**Scale length:** 40 mm (48DP) , 62 mm (72DP) ,  
85 mm (96DP) 152 mm (144DP)

**Class of accuracy:** 0.5

**Consumption:** max. 10mA

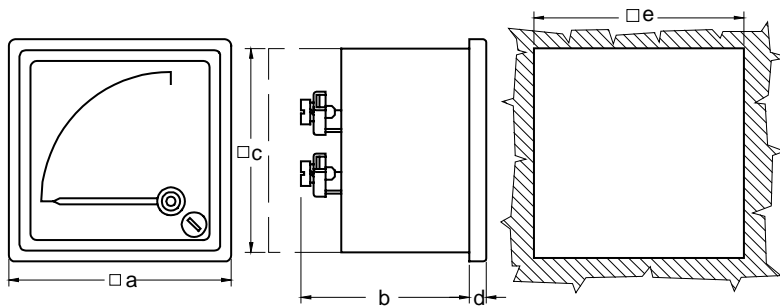
**Weight:** 0.2 kg (48DP) , 0.25 kg (72DP) ,  
0.4 kg (96DP) 0.6 kg (144DP)

**Fixing elements:** plastic clips

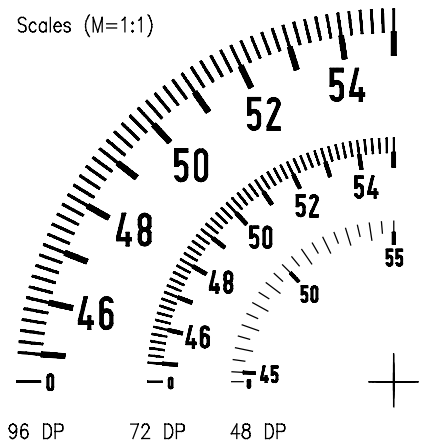


Frame dimensions		48x48 mm	72x72 mm	96x96 mm	144x144 mm
Measuring range	Rated voltage	Type 48 DP	Type 72 DP	Type 96 DP	Type 144 DP
45...50...55 Hz	100 V	x	x	x	x
	115 V	x	x	x	x
	127 V	x	x	x	x
	230 V	x	x	x	x
	400 V	x	x	x	x
	500 V	—	x	x	x
55...60...65 Hz	100 V	x	x	x	x
	115 V	x	x	x	x
	127 V	x	x	x	x
	230 V	x	x	x	x
	400 V	x	x	x	x
	500 V	—	x	x	x
360...400...440 Hz	100 V	x	x	x	x
	115 V	x	x	x	x
	127 V	x	x	x	x
	230 V	x	x	x	x
	400 V	x	x	x	x
	500 V	—	x	x	x

**Note:** on request types different from tables are accepted



Type	Dimensions [mm]				
	a	b	c	d	e
48 DP	48	58	45	5,5	45 <sup>+0.6</sup>
72 DP	72	58	67	5,5	68 <sup>+0.7</sup>
96 DP	96	58	91	5,5	92 <sup>+0.8</sup>
144 DP	144	70	137	7	138 <sup>+1</sup>



### Order specification:

- Moving coil frequency meter
- Frame size: 96x96 mm
- Range: 45...50...55 Hz
- Rated voltage: 230 V

### Ordering data:

96 DP 45...50...55 Hz 230 V