



SYNCHRONOSCOPE



Type 96SY

For synchronising 2 systems, indicating if the alternator to be coupled, is more or less advanced or retarded with respect to mains or another generator.

Technical data:

Instrument function: Revolving pointer system. Indicating the synchronising moment when frequency and phase of both supplies have the same values. Then the pointer will be on the upper centre of scale.

Instrument case: steel-plate.

Frequency: For single phase 50 Hz $\pm 1\%$ or 60 Hz $\pm 1\%$.
For three phase 50 Hz $\pm 3\%$ or 60 Hz $\pm 3\%$

Consumption: Line approx. 20 mA
Generator approx. 20 mA.

Protection: Casing IP50; adapter box IP20 and terminals IP00.

Weight: Approx. 0,8 kg.

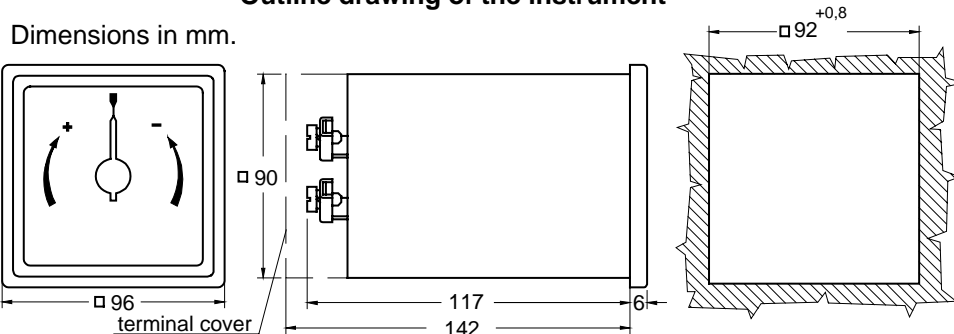
Fixing elements: with two screw-type fastening clips (DIN 43835 "A").



Rated voltage $\pm 15\%$	Instrument type: 96SY Cat. No. 2007-99-...	
	Type of systems	
	Single- or three-phase Connection with 2 wires	Three-phase Connection with 3 wires
100/ $\sqrt{3}$ V	-021	----
100V	-022	-032
110/ $\sqrt{3}$ V	-023	----
110V	-024	-034
120V	-001	-041
220V	-002	-043
230/ $\sqrt{3}$ V	-003	----
230V	-025	-035
240V	-004	-044
400V	-026	-036
440V	-027	-037
520V	----	-045

Note: All instruments are to be used with external box(es).

Outline drawing of the instrument

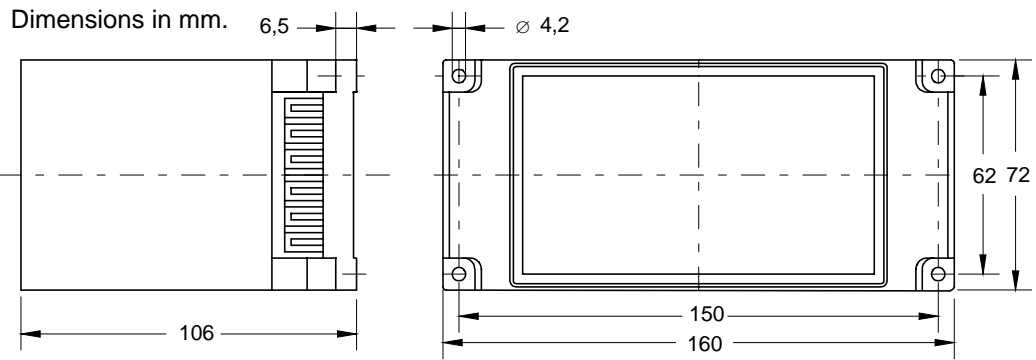




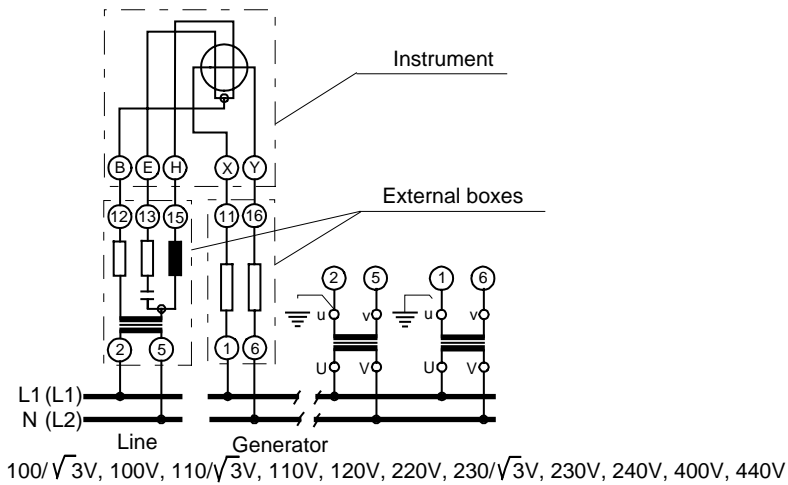
SYNCHRONOSCOPE



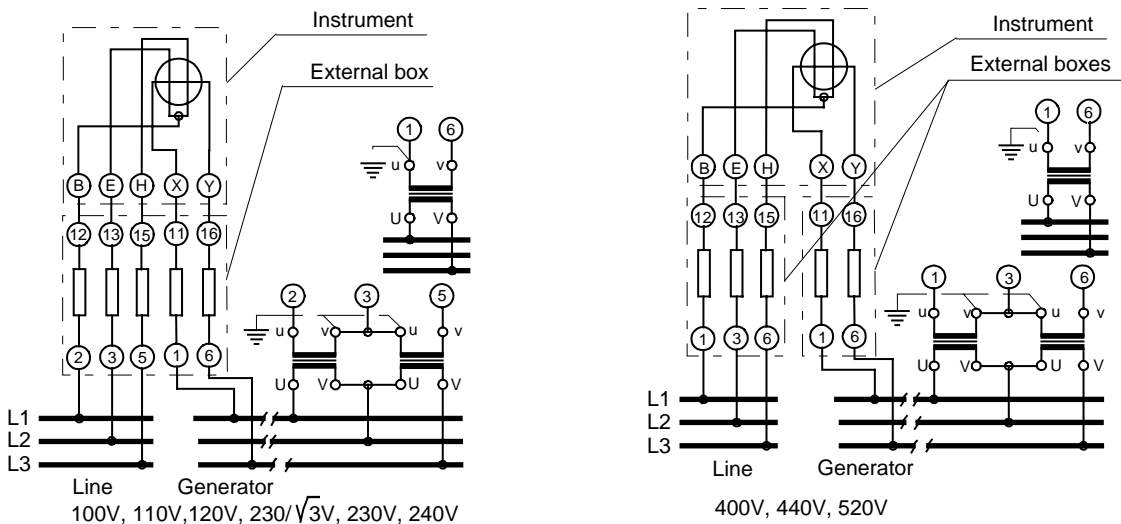
Outline drawing of the external box



Connection diagrams



Single- or three-phase systems, connection with 2 wires.



Three-phase systems, connection with 3 wires.

Order specification:

- Synchronoscope
- For three phase system, connection to 3 wires
- Rated voltage: 400 V

Ordering data:

- Synchronoscope
- Type: **96SY**
- Cat No.: **2007-99-036**